

# YT-1401MA قارئ الباركود CCD مصغرة بلوتوث اللاسلكية



## Description

YT-1401MA ماسح الباركود صغير، تصميم صغير جدا و رائعة، وأنها مريحة لاتخاذ CCD هو بلوتوث YT-1401MA، جيب. inyour في المحل، مستودع، مستشفى أو لا يهم أين أنت، وكنت أعتبر على الخاص اليد أو مجرد وضعها


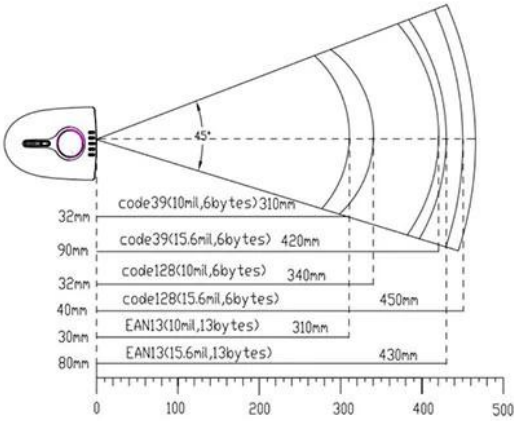


## Function

بلوتوث الباركود سهل للاستخدام. فإنه يمكن إرفاقها مع الجهاز الذي هو مع بلوتوث، لا مزيد CCD الماسح الضوئي ماك، الروبوت، والهواتف الذكية، المساعد الشخصي، software.YT-1401MA من دائرة الرقابة الداخلية الدعم الرقمي وهلم جرا.



## Specification

Para	Model	YT-1401-MA
<b>Image</b>		
Image		
<b>Performance Parameter</b>		
Depth Filed		
Wireless transmitting distance (without barrier)	15 - 20M	
Infrared induction distance	—	
Optical Source	620nm Visible red light diode	
Imaging Sensor	CCD	
Image Resolution	2500 Peixel	
Reading Precision	≥ 5mil	
Minimum Contrast	≥ 30%	
Decoding Capacity	Code128, EAN-13, EAN-8, Code39,UPC-A, UPC-E, Codabar, Interleaved 2 of 5,ISBN, Code 93, UCC/EAN-128, GS1 Databar, ect.	
Decoding Speed	280times/second	
Barcode Sensitivity	Tilt	±55°
	Rotate	±25°
	Deflection	±75°
Data Interface	micro usb	
<b>Mechanical and Electric Performance</b>		
Size(Length x Width x Height)	75.4×38.5×26 mm	
Weight	61g	
Indicator	Siren and LED light	
Battery Capacity	600mah	
Max. Power	750mw	
Worrking Voltage	DC5V	
Current	Max. Current	150ma
	Working Current	90ma
	Standby Current	68ma
	Sleeping Current	3ua
Charging Current	450ma	
<b>Accessory List</b>		
Data Cable	Micro USB	
Wireless Receiver	Bluetooth	
CD	1	
Operation Manual	1	
Charge Station	—	
<b>Environment Parameter</b>		
Storage Temperature	-40°C ~ 60°C	
Working Temperature	0°C ~ 50°C	
Relative Humidity	0 ~ 95% )	
Height Range	1.5M	
IP Rating	IP52	
<b>Certification</b>		
CE, RoHS, EMC, LVD, ISO9001:2000, ISO14001:2004		



# Certification



## CERTIFICATE OF REGISTRATION

Certificate No.: 117 14 QU 0252-12 R05  
This is to certify the quality management systems of

**Shenzhen World Reputation Electronics  
Technology Co., LTD**

Organization code 30608924-7

Location 6F, Xingqiang Commercial  
Mansion, No. 1 Dezheng Road,  
Shilong Community, Shiyan  
Street, Baoan District, Shenzhen

has been assessed and registered as meeting the requirements of  
**ISO9001:2008**

Scope of approval

**R&D, Production of Barcode Scanning Identification  
Equipment**

Signed by:

Approval Date: 26 Dec. 2014  
Expiry Date: 25 Dec. 2017

Shenzhen Ingeer Certification Assessment Services Co., Ltd.  
117 14 QU 0252-12 R05  
China English Assessment Service Ltd No. 1208  
Tel: +86 755 26121766  
Fax: +86 755 26121766  
Web: www.ingeer.com.cn  
Add: Room 601, Jiaoling Mansion, 1208 West Hongfeng St.,  
Fubo District, Shenzhen, China, 518033



The certificate information can be checked on the CAS website: WWW.CAS.CN/CN. The validity of the certificate also can be obtained through www.ingeer.com.cn or by calling CAS Client Services Dept. This certificate is only valid when used together with related permits unless appropriate. The certificate holder must successfully pass yearly periodical audits to maintain the validity of the certificate after the certificate approval date. The certificate remains the property of CAS, to whom it must be returned if the management systems of the certificate holder is approved not to be in conformity with the certificate standard.



## CERTIFICATE OF REGISTRATION

Certificate No.: 117 14 E1 0796 R05  
This is to certify the environmental management systems of

**Shenzhen World Reputation Electronics  
Technology Co., LTD**

Organization code 30608924-7

Location 6F, Xingqiang Commercial Mansion, No. 1  
Dezheng Road, Shilong Community,  
Shiyan Street, Baoan District, Shenzhen

has been assessed and registered as meeting the requirements of  
**GB/T24001-2004/ISO14001:2004**

Scope of approval

**The Related Environmental Management Activities of R&D,  
Production of Barcode Scanning Identification Equipment for  
Shenzhen World Reputation Electronics Technology Co., LTD Located  
in 6F, Xingqiang Commercial Mansion, No. 1 Dezheng Road, Shilong  
Community, Shiyan Street, Baoan District, Shenzhen**

Signed by:

Approval Date: 26 Dec. 2014  
Expiry Date: 25 Dec. 2017

Shenzhen Ingeer Certification Assessment Services Co., Ltd.  
117 14 E1 0796 R05  
China English Assessment Service for Environment Management System Ltd No. 1208  
Tel: +86 755 26121766  
Fax: +86 755 26121766  
Web: www.ingeer.com.cn  
Add: Room 601, Jiaoling Mansion, 1208 West Hongfeng St.,  
Fubo District, Shenzhen, China, 518033



The certificate information can be checked on the CAS website: WWW.CAS.CN/CN. The validity of the certificate also can be obtained through www.ingeer.com.cn or by calling CAS Client Services Dept. This certificate is only valid when used together with related permits unless appropriate. The certificate holder must successfully pass yearly periodical audits to maintain the validity of the certificate after the certificate approval date. The certificate remains the property of CAS, to whom it must be returned if the management systems of the certificate holder is approved not to be in conformity with the certificate standard.



# Certificate of Compliance

Certificate Number: UN2014122403RC-3

**Applicant** : Shenzhen World Reputation Electronics Technology Co., Ltd.  
6F, B Building, B Area, Xingqiang Business Building, No.1, Dezheng Road,  
Shilong Community, Shiyan, Bao'an District, Shenzhen

**Manufacturer** : Shenzhen World Reputation Electronics Technology Co., Ltd.  
6F, B Building, B Area, Xingqiang Business Building, No.1, Dezheng Road,  
Shilong Community, Shiyan, Bao'an District, Shenzhen

**Product** : Bar-code Scanner

**Trade Name** : Yumita

**M/N** : YT-1000, YT-760, YT-760A, YT-760B, YT-M200, YT-1100A, YT-1100B, YT-  
M300, YT-2000, YT-2100A, YT-2100B, YT-M400, YT-XXXX

Test Standard: IEC62321:2013

The EUT described above has been consolidated by us and found in compliance with the council  
RoHS Directive 2011/95/EU. It is only valid in connection with the test report number:  
UN2014122403RR-3.

2014-12-24  
Date of issue



# RoHS



Shenzhen United Testing Technology Co., Ltd.  
Room 317-319, Block 1, University Town Technology Park,  
5<sup>th</sup> Zone, South Section, Hongshuang Industrial Park,  
Nanshan District, Shenzhen, PRC, 518055  
Tel: +86-755-88130096 Fax: +86-755-88180138  
<http://www.uttt.com.cn> E-mail: [info@uttt.com.cn](mailto:info@uttt.com.cn)



# EC-R&TTE Certificate

Certificate Number: UN2014122403REC-1

**Applicant** : Shenzhen World Reputation Electronics Technology Co., Ltd.  
6F, B Building, B Area, Xingqiang Business Building, No.1, Dezheng Road,  
Shilong Community, Shiyan, Bao'an District, Shenzhen

**Manufacturer** : Shenzhen World Reputation Electronics Technology Co., Ltd.  
6F, B Building, B Area, Xingqiang Business Building, No.1, Dezheng Road,  
Shilong Community, Shiyan, Bao'an District, Shenzhen

**Product** : Bar-code Scanner

**Trade Name** : Yumita

**M/N** : YT-1300, YT-860, YT-1200, YT-1400, YT-1600, YT-2200, YT-2300, YT-2400,  
YT-2500, YT-XXXX

Essential requirement	Applied Specifications/Standards	Documentary Evidence	Result
Art.3.1(a) Health	Not assessed		
Art.3.1(a) Safety	EN60950-1	UN2014122403ER-1	Pass
Art.3.1(b) EMC	ETSI EN301 489-1/3	UN2014122403ER-1	Pass
Art.3.2 Radio	ETSI EN300 440	UN2014122403ER-2	Pass

The EUT described above has been tested by us with the listed standards and found in compliance  
with the council R&TTE directive 99/5/EC. It is possible to use CE marking to demonstrate the  
compliance with this Directive.

The scope of evaluation relates to the submitted documents only.

2014-12-24  
Date of issue



# CE



Shenzhen United Testing Technology Co., Ltd.  
Room 317-319, Block 1, University Town Technology Park,  
5<sup>th</sup> Zone, South Section, Hongshuang Industrial Park,  
Nanshan District, Shenzhen, PRC, 518055  
Tel: +86-755-88130096 Fax: +86-755-88180138  
<http://www.uttt.com.cn> E-mail: [info@uttt.com.cn](mailto:info@uttt.com.cn)



# Factory

