

# ماسح الباركود CCD المحمولة البسيطة بلوتوث اللاسلكية YT-1401MA



## Description

**Yumite**


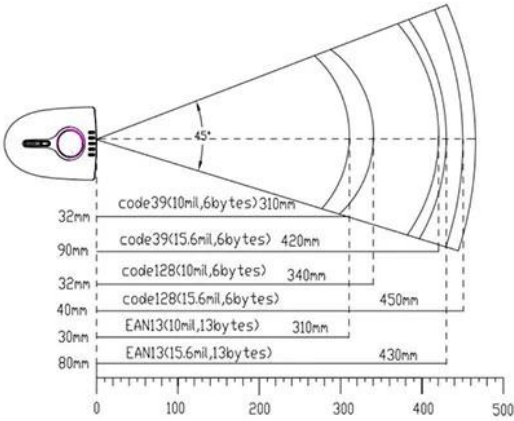
ماسح الباركود. انها وسيلة CCD واجهات USB هو حجم ميني جيب بلوتوث لاسلكي اللاسلكي و YT-1401MA صغيرة وخفيفة الوزن. انها مصممة هندسيا للاستخدام المحمول. مع اليد تصميم حجم تسمح للمستخدمين حمل سهل في مكان العمل.

CCD الحمراء ضوء 620nm أحمر مسح الباركود براءات الاختراع. تعتمد LED 620 حلول مسح الباركود مع استخدام 1 تكنولوجيا التصوير وذكي نظام تحديد الصورة. متكامل معالج عالي الأداء ومجلس فك التشفير، لديه فك سريع وعالية الدقة القدرة على القراءة، وارتفاع القدرة المضادة للتدخل.

أنواع مختلفة الباركود الماسح الضوئي. مثل: لاسلكية / السلكية ماسح الباركود Yumite ويشمل ماسح الباركود ماسح الباركود بلوتوث، moudle الباركود، الماسح الضوئي CCD الليزر، اتصال لاسلكي / سلكي الماسح الضوئي ماسح الباركود، احادي ماسح الباركود 2D.

## Specification

**Yumite**

Para	Model	YT-1401-MA
<b>Image</b>		
Image		
<b>Performance Parameter</b>		
Depth Filed		
Wireless transmitting distance (without barrier)	15 - 20M	
Infrared induction distance	—	
Optical Source	620nm Visible red light diode	
Imaging Sensor	CCD	
Image Resolution	2500 Peixel	
Reading Precision	≥ 5mil	
Minimum Contrast	≥ 30%	
Decoding Capacity	Code128, EAN-13, EAN-8, Code39,UPC-A, UPC-E, Codabar, Interleaved 2 of 5,ISBN, Code 93, UCC/EAN-128, GS1 Databar, ect.	
Decoding Speed	280times/second	
Barcode Sensitivity	Tilt	±55°
	Rotate	±25°
	Deflection	±75°
Data Interface	micro usb	
<b>Mechanical and Electric Performance</b>		
Size(Length x Width x Height)	75.4×38.5×26 mm	
Weight	61g	
Indicator	Siren and LED light	
Battery Capacity	600mah	
Max. Power	750mw	
Worrking Voltage	DC5V	
Current	Max. Current	150ma
	Working Current	90ma
	Standby Current	68ma
	Sleeping Current	3ua
Charging Current	450ma	
<b>Accessory List</b>		
Data Cable	Micro USB	
Wireless Receiver	Bluetooth	
CD	1	
Operation Manual	1	
Charge Station	—	
<b>Environment Parameter</b>		
Storage Temperature	-40°C ~ 60°C	
Working Temperature	0°C ~ 50°C	
Relative Humidity	0 ~ 95% )	
Height Range	1.5M	
IP Rating	IP52	
<b>Certification</b>		
CE, RoHS, EMC, LVD, ISO9001:2000, ISO14001:2004		



## Certificate of Compliance

Certificate Number: UN2014122403RC-3

**Applicant** : Shenzhen World Reputation Electronics Technology Co., Ltd.  
6F, B Building, B Area, Xingqiang Business Building, No.1, Dezheng Road, Shilong Community, Shiyan, Bao'an District, Shenzhen

**Manufacturer** : Shenzhen World Reputation Electronics Technology Co., Ltd.  
6F, B Building, B Area, Xingqiang Business Building, No.1, Dezheng Road, Shilong Community, Shiyan, Bao'an District, Shenzhen

**Product** : Bar-code Scanner

**Trade Name** : Yumite

**Model** : YT-1200, YT-780, YT-780A, YT-780B, YT-8200, YT-1100A, YT-1100B, YT-1100C, YT-1100D, YT-1100E, YT-1100F, YT-1100G, YT-1100H, YT-1100I, YT-1100J, YT-1100K, YT-1100L, YT-1100M, YT-1100N, YT-1100O, YT-1100P, YT-1100Q, YT-1100R, YT-1100S, YT-1100T, YT-1100U, YT-1100V, YT-1100W, YT-1100X, YT-1100Y, YT-1100Z, YT-1100AA, YT-1100AB, YT-1100AC, YT-1100AD, YT-1100AE, YT-1100AF, YT-1100AG, YT-1100AH, YT-1100AI, YT-1100AJ, YT-1100AK, YT-1100AL, YT-1100AM, YT-1100AN, YT-1100AO, YT-1100AP, YT-1100AQ, YT-1100AR, YT-1100AS, YT-1100AT, YT-1100AU, YT-1100AV, YT-1100AW, YT-1100AX, YT-1100AY, YT-1100AZ, YT-1100BA, YT-1100BB, YT-1100BC, YT-1100BD, YT-1100BE, YT-1100BF, YT-1100BG, YT-1100BH, YT-1100BI, YT-1100BJ, YT-1100BK, YT-1100BL, YT-1100BM, YT-1100BN, YT-1100BO, YT-1100BP, YT-1100BQ, YT-1100BR, YT-1100BS, YT-1100BT, YT-1100BU, YT-1100BV, YT-1100BW, YT-1100BX, YT-1100BY, YT-1100BZ, YT-1100CA, YT-1100CB, YT-1100CC, YT-1100CD, YT-1100CE, YT-1100CF, YT-1100CG, YT-1100CH, YT-1100CI, YT-1100CJ, YT-1100CK, YT-1100CL, YT-1100CM, YT-1100CN, YT-1100CO, YT-1100CP, YT-1100CQ, YT-1100CR, YT-1100CS, YT-1100CT, YT-1100CU, YT-1100CV, YT-1100CW, YT-1100CX, YT-1100CY, YT-1100CZ, YT-1100DA, YT-1100DB, YT-1100DC, YT-1100DD, YT-1100DE, YT-1100DF, YT-1100DG, YT-1100DH, YT-1100DI, YT-1100DJ, YT-1100DK, YT-1100DL, YT-1100DM, YT-1100DN, YT-1100DO, YT-1100DP, YT-1100DQ, YT-1100DR, YT-1100DS, YT-1100DT, YT-1100DU, YT-1100DV, YT-1100DW, YT-1100DX, YT-1100DY, YT-1100DZ, YT-1100EA, YT-1100EB, YT-1100EC, YT-1100ED, YT-1100EE, YT-1100EF, YT-1100EG, YT-1100EH, YT-1100EI, YT-1100EJ, YT-1100EK, YT-1100EL, YT-1100EM, YT-1100EN, YT-1100EO, YT-1100EP, YT-1100EQ, YT-1100ER, YT-1100ES, YT-1100ET, YT-1100EU, YT-1100EV, YT-1100EW, YT-1100EX, YT-1100EY, YT-1100EZ, YT-1100FA, YT-1100FB, YT-1100FC, YT-1100FD, YT-1100FE, YT-1100FF, YT-1100FG, YT-1100FH, YT-1100FI, YT-1100FJ, YT-1100FK, YT-1100FL, YT-1100FM, YT-1100FN, YT-1100FO, YT-1100FP, YT-1100FQ, YT-1100FR, YT-1100FS, YT-1100FT, YT-1100FU, YT-1100FV, YT-1100FW, YT-1100FX, YT-1100FY, YT-1100FZ, YT-1100GA, YT-1100GB, YT-1100GC, YT-1100GD, YT-1100GE, YT-1100GF, YT-1100GG, YT-1100GH, YT-1100GI, YT-1100GJ, YT-1100GK, YT-1100GL, YT-1100GM, YT-1100GN, YT-1100GO, YT-1100GP, YT-1100GQ, YT-1100GR, YT-1100GS, YT-1100GT, YT-1100GU, YT-1100GV, YT-1100GW, YT-1100GX, YT-1100GY, YT-1100GZ, YT-1100HA, YT-1100HB, YT-1100HC, YT-1100HD, YT-1100HE, YT-1100HF, YT-1100HG, YT-1100HH, YT-1100HI, YT-1100HJ, YT-1100HK, YT-1100HL, YT-1100HM, YT-1100HN, YT-1100HO, YT-1100HP, YT-1100HQ, YT-1100HR, YT-1100HS, YT-1100HT, YT-1100HU, YT-1100HV, YT-1100HW, YT-1100HX, YT-1100HY, YT-1100HZ, YT-1100IA, YT-1100IB, YT-1100IC, YT-1100ID, YT-1100IE, YT-1100IF, YT-1100IG, YT-1100IH, YT-1100II, YT-1100IJ, YT-1100IK, YT-1100IL, YT-1100IM, YT-1100IN, YT-1100IO, YT-1100IP, YT-1100IQ, YT-1100IR, YT-1100IS, YT-1100IT, YT-1100IU, YT-1100IV, YT-1100IW, YT-1100IX, YT-1100IY, YT-1100IZ, YT-1100JA, YT-1100JB, YT-1100JC, YT-1100JD, YT-1100JE, YT-1100JF, YT-1100JG, YT-1100JH, YT-1100JI, YT-1100JJ, YT-1100JK, YT-1100JL, YT-1100JM, YT-1100JN, YT-1100JO, YT-1100JP, YT-1100JQ, YT-1100JR, YT-1100JS, YT-1100JT, YT-1100JU, YT-1100JV, YT-1100JW, YT-1100JX, YT-1100JY, YT-1100JZ, YT-1100KA, YT-1100KB, YT-1100KC, YT-1100KD, YT-1100KE, YT-1100KF, YT-1100KG, YT-1100KH, YT-1100KI, YT-1100KJ, YT-1100KK, YT-1100KL, YT-1100KM, YT-1100KN, YT-1100KO, YT-1100KP, YT-1100KQ, YT-1100KR, YT-1100KS, YT-1100KT, YT-1100KU, YT-1100KV, YT-1100KW, YT-1100KX, YT-1100KY, YT-1100KZ, YT-1100LA, YT-1100LB, YT-1100LC, YT-1100LD, YT-1100LE, YT-1100LF, YT-1100LG, YT-1100LH, YT-1100LI, YT-1100LJ, YT-1100LK, YT-1100LL, YT-1100LM, YT-1100LN, YT-1100LO, YT-1100LP, YT-1100LQ, YT-1100LR, YT-1100LS, YT-1100LT, YT-1100LU, YT-1100LV, YT-1100LW, YT-1100LX, YT-1100LY, YT-1100LZ, YT-1100MA, YT-1100MB, YT-1100MC, YT-1100MD, YT-1100ME, YT-1100MF, YT-1100MG, YT-1100MH, YT-1100MI, YT-1100MJ, YT-1100MK, YT-1100ML, YT-1100MM, YT-1100MN, YT-1100MO, YT-1100MP, YT-1100MQ, YT-1100MR, YT-1100MS, YT-1100MT, YT-1100MU, YT-1100MV, YT-1100MW, YT-1100MX, YT-1100MY, YT-1100MZ, YT-1100NA, YT-1100NB, YT-1100NC, YT-1100ND, YT-1100NE, YT-1100NF, YT-1100NG, YT-1100NH, YT-1100NI, YT-1100NJ, YT-1100NK, YT-1100NL, YT-1100NM, YT-1100NO, YT-1100NP, YT-1100NQ, YT-1100NR, YT-1100NS, YT-1100NT, YT-1100NU, YT-1100NV, YT-1100NW, YT-1100NX, YT-1100NY, YT-1100NZ, YT-1100OA, YT-1100OB, YT-1100OC, YT-1100OD, YT-1100OE, YT-1100OF, YT-1100OG, YT-1100OH, YT-1100OI, YT-1100OJ, YT-1100OK, YT-1100OL, YT-1100OM, YT-1100ON, YT-1100OO, YT-1100OP, YT-1100OQ, YT-1100OR, YT-1100OS, YT-1100OT, YT-1100OU, YT-1100OV, YT-1100OW, YT-1100OX, YT-1100OY, YT-1100OZ, YT-1100PA, YT-1100PB, YT-1100PC, YT-1100PD, YT-1100PE, YT-1100PF, YT-1100PG, YT-1100PH, YT-1100PI, YT-1100PJ, YT-1100PK, YT-1100PL, YT-1100PM, YT-1100PN, YT-1100PO, YT-1100PP, YT-1100PQ, YT-1100PR, YT-1100PS, YT-1100PT, YT-1100PU, YT-1100PV, YT-1100PW, YT-1100PX, YT-1100PY, YT-1100PZ, YT-1100QA, YT-1100QB, YT-1100QC, YT-1100QD, YT-1100QE, YT-1100QF, YT-1100QG, YT-1100QH, YT-1100QI, YT-1100QJ, YT-1100QK, YT-1100QL, YT-1100QM, YT-1100QN, YT-1100QO, YT-1100QP, YT-1100QQ, YT-1100QR, YT-1100QS, YT-1100QT, YT-1100QU, YT-1100QV, YT-1100QW, YT-1100QX, YT-1100QY, YT-1100QZ, YT-1100RA, YT-1100RB, YT-1100RC, YT-1100RD, YT-1100RE, YT-1100RF, YT-1100RG, YT-1100RH, YT-1100RI, YT-1100RJ, YT-1100RK, YT-1100RL, YT-1100RM, YT-1100RN, YT-1100RO, YT-1100RP, YT-1100RQ, YT-1100RR, YT-1100RS, YT-1100RT, YT-1100RU, YT-1100RV, YT-1100RW, YT-1100RX, YT-1100RY, YT-1100RZ, YT-1100SA, YT-1100SB, YT-1100SC, YT-1100SD, YT-1100SE, YT-1100SF, YT-1100SG, YT-1100SH, YT-1100SI, YT-1100SJ, YT-1100SK, YT-1100SL, YT-1100SM, YT-1100SN, YT-1100SO, YT-1100SP, YT-1100SQ, YT-1100SR, YT-1100SS, YT-1100ST, YT-1100SU, YT-1100SV, YT-1100SW, YT-1100SX, YT-1100SY, YT-1100SZ, YT-1100TA, YT-1100TB, YT-1100TC, YT-1100TD, YT-1100TE, YT-1100TF, YT-1100TG, YT-1100TH, YT-1100TI, YT-1100TJ, YT-1100TK, YT-1100TL, YT-1100TM, YT-1100TN, YT-1100TO, YT-1100TP, YT-1100TQ, YT-1100TR, YT-1100TS, YT-1100TT, YT-1100TU, YT-1100TV, YT-1100TW, YT-1100TX, YT-1100TY, YT-1100TZ, YT-1100UA, YT-1100UB, YT-1100UC, YT-1100UD, YT-1100UE, YT-1100UF, YT-1100UG, YT-1100UH, YT-1100UI, YT-1100UJ, YT-1100UK, YT-1100UL, YT-1100UM, YT-1100UN, YT-1100UO, YT-1100UP, YT-1100UQ, YT-1100UR, YT-1100US, YT-1100UT, YT-1100UU, YT-1100UV, YT-1100UW, YT-1100UX, YT-1100UY, YT-1100UZ, YT-1100VA, YT-1100VB, YT-1100VC, YT-1100VD, YT-1100VE, YT-1100VF, YT-1100VG, YT-1100VH, YT-1100VI, YT-1100VJ, YT-1100VK, YT-1100VL, YT-1100VM, YT-1100VN, YT-1100VO, YT-1100VP, YT-1100VQ, YT-1100VR, YT-1100VS, YT-1100VT, YT-1100VU, YT-1100VV, YT-1100VW, YT-1100VX, YT-1100VY, YT-1100VZ, YT-1100WA, YT-1100WB, YT-1100WC, YT-1100WD, YT-1100WE, YT-1100WF, YT-1100WG, YT-1100WH, YT-1100WI, YT-1100WJ, YT-1100WK, YT-1100WL, YT-1100WM, YT-1100WN, YT-1100WO, YT-1100WP, YT-1100WQ, YT-1100WR, YT-1100WS, YT-1100WT, YT-1100WU, YT-1100WV, YT-1100WW, YT-1100WX, YT-1100WY, YT-1100WZ, YT-1100XA, YT-1100XB, YT-1100XC, YT-1100XD, YT-1100XE, YT-1100XF, YT-1100XG, YT-1100XH, YT-1100XI, YT-1100XJ, YT-1100XK, YT-1100XL, YT-1100XM, YT-1100XN, YT-1100XO, YT-1100XP, YT-1100XQ, YT-1100XR, YT-1100XS, YT-1100XT, YT-1100XU, YT-1100XV, YT-1100XW, YT-1100XX, YT-1100XY, YT-1100XZ, YT-1100YA, YT-1100YB, YT-1100YC, YT-1100YD, YT-1100YE, YT-1100YF, YT-1100YG, YT-1100YH, YT-1100YI, YT-1100YJ, YT-1100YK, YT-1100YL, YT-1100YM, YT-1100YN, YT-1100YO, YT-1100YP, YT-1100YQ, YT-1100YR, YT-1100YS, YT-1100YT, YT-1100YU, YT-1100YV, YT-1100YW, YT-1100YX, YT-1100YY, YT-1100YZ, YT-1100ZA, YT-1100ZB, YT-1100ZC, YT-1100ZD, YT-1100ZE, YT-1100ZF, YT-1100ZG, YT-1100ZH, YT-1100ZI, YT-1100ZJ, YT-1100ZK, YT-1100ZL, YT-1100ZM, YT-1100ZN, YT-1100ZO, YT-1100ZP, YT-1100ZQ, YT-1100ZR, YT-1100ZS, YT-1100ZT, YT-1100ZU, YT-1100ZV, YT-1100ZW, YT-1100ZX, YT-1100ZY, YT-1100ZZ

Test Standard: IEC62321-2013

The EUT described above has been consolidated by us and found in compliance with the council RoHS Directive 2011/65/EU. It is only valid in connection with the test report number: UN2014122403RR-3.

2014-12-24  
Date of issue



# RoHS



**Shenzhen United Testing Technology Co., Ltd.**  
Room 317-319, Block 1, University Town Technology Park,  
3<sup>rd</sup> Zone, South Section, Hongshuang Industrial Park,  
Nanshan District, Shenzhen, PRC. 518055  
Tel: +86-755-86180996 Fax: +86-755-86180198  
http://www.unt.com.cn E-mail: info@unt.com.cn



## EC-R&TTE Certificate

Certificate Number: UN2014122403EC-1

**Applicant** : Shenzhen World Reputation Electronics Technology Co., Ltd.  
6F, B Building, B Area, Xingqiang Business Building, No.1, Dezheng Road, Shilong Community, Shiyan, Bao'an District, Shenzhen

**Manufacturer** : Shenzhen World Reputation Electronics Technology Co., Ltd.  
6F, B Building, B Area, Xingqiang Business Building, No.1, Dezheng Road, Shilong Community, Shiyan, Bao'an District, Shenzhen

**Product** : Bar-code Scanner

**Trade Name** : Yumite

**Model** : YT-1300, YT-860, YT-1200, YT-1400, YT-1500, YT-2300, YT-2400, YT-2500, YT-XXXX

Essential requirement	Applied Specifications/Standards	Documentary Evidence	Result
Art.3.1(a) Health	Not assessed		
Art.3.1(a) Safety	EN60950-1	UN2014122403SR-1	Pass
Art.3.1(b) EMC	ETSI EN301 488-1/3	UN2014122403ER-1	Pass
Art.3.2 Radio	ETSI EN300 440	UN2014122403ER-2	Pass

The EUT described above has been tested by us with the listed standards and found in compliance with the council R&TTE directive 99/5/EC. It is possible to use CE marking to demonstrate the compliance with this Directive.

The scope of evaluation relates to the submitted documents only.

2014-12-24  
Date of issue



# CE



**Shenzhen United Testing Technology Co., Ltd.**  
Room 317-319, Block 1, University Town Technology Park,  
3<sup>rd</sup> Zone, South Section, Hongshuang Industrial Park,  
Nanshan District, Shenzhen, PRC. 518055  
Tel: +86-755-86180996 Fax: +86-755-86180198  
http://www.unt.com.cn E-mail: info@unt.com.cn



# CERTIFICATE OF REGISTRATION

Certificate No.: 117 14 QU 0252-12 R05  
This is to certify the quality management systems of

**Shenzhen World Reputation Electronics Technology Co., LTD**

Organization code 30608924-7

Location 6F, Xingqiang Commercial Mansion, No. 1 Dezheng Road, Shilong Community, Shiyan Street, Baoan District, Shenzhen

has been assessed and registered as meeting the requirements of ISO9001:2008

Scope of approval  
R&D, Production of Barcode Scanning Identification Equipment

Signed by:

Approval Date: 26 Dec. 2014  
Expiry Date: 25 Dec. 2017

Shenzhen Inceer Certification Assessment Services Co., Ltd.  
China National Accreditation Administration of Conformity Assessment Services (CNAS) No. 1104  
Tel: 86-755-83221780  
Fax: 86-755-83221781  
Web: www.inceer.com.cn  
Add: Room 601, Xingqiang Mansion, 10888 Bida (Zhangjiahe Rd),  
Shilong Community, Baoan District, Shenzhen, China, 518101



The certificate information can be checked on the CNCA website: WWW.CNCA.GOV.CN. The validation of the certificate also can be obtained through www.inceer.com.cn or by calling CNAS client services Dept. This certificate is only valid when used together with related permits unless otherwise specified. This certificate holder must successfully pass yearly performance audits to maintain the validity of the certificate after the certificate approval date. The Certificate remains the property of INCEER, so when it must be returned if the management systems of the certificate holder is approved to fail to be in conformity with the certification standard.



# CERTIFICATE OF REGISTRATION

Certificate No.: 117 14 EI 0796 R05  
This is to certify the environmental management systems of

**Shenzhen World Reputation Electronics Technology Co., LTD**

Organization code 30608924-7

Location 6F, Xingqiang Commercial Mansion, No. 1 Dezheng Road, Shilong Community, Shiyan Street, Baoan District, Shenzhen

has been assessed and registered as meeting the requirements of GB/T24001-2004/ISO14001:2004

Scope of approval  
The Related Environmental Management Activities of R&D, Production of Barcode Scanning Identification Equipment for Shenzhen World Reputation Electronics Technology Co., LTD Located in 6F, Xingqiang Commercial Mansion, No. 1 Dezheng Road, Shilong Community, Shiyan Street, Baoan District, Shenzhen

Signed by:

Approval Date: 26 Dec. 2014  
Expiry Date: 25 Dec. 2017

Shenzhen Inceer Certification Assessment Services Co., Ltd.  
China National Accreditation Administration of Conformity Assessment Services (CNAS) No. 1104  
Tel: 86-755-83221780  
Fax: 86-755-83221781  
Web: www.inceer.com.cn  
Add: Room 601, Xingqiang Mansion, 10888 Bida (Zhangjiahe Rd),  
Shilong Community, Baoan District, Shenzhen, China, 518101



The certificate information can be checked on the CNCA website: WWW.CNCA.GOV.CN. The validation of the certificate also can be obtained through www.inceer.com.cn or by calling CNAS client services Dept. This certificate is only valid when used together with related permits unless otherwise specified. This certificate holder must successfully pass yearly performance audits to maintain the validity of the certificate after the certificate approval date. The Certificate remains the property of INCEER, so when it must be returned if the management systems of the certificate holder is approved to fail to be in conformity with the certification standard.

Our factory

**Yumite**

