

الماسح الضوئي نوع جيب والمنتجات E، الذكية بلوتوث مذكرات المالية YT-1401-MA وضع اليوميات الرقمية



Description


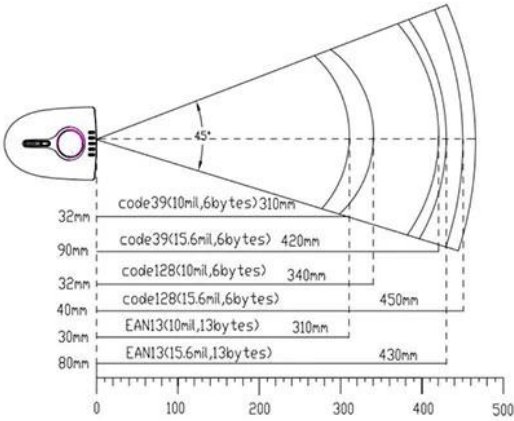
Yumite

بلوتوث اللاسلكية مصغرة CCD الماسح الضوئي جيب type.As هو الحال مع الحجم الصغير للمثالي YT-1401-MA يوميات الذكية لنقل البيانات في الوقت الحقيقي لتتفوق المحمول أو-E ماسح الباركود، فإنه يصبح بلوتوث وثائق كلمة.

هو الوضع الطبيعي بدون محرك بلوتوث وسهولة الاستخدام عن مورد بلوتوث الماسح الضوئي الصين YT-1401-MA.

Specification

Yumite

Para	Model	YT-1401-MA
Image		
Image		
Performance Parameter		
Depth Filed		
Wireless transmitting distance (without barrier)	15 - 20M	
Infrared induction distance	—	
Optical Source	620nm Visible red light diode	
Imaging Sensor	CCD	
Image Resolution	2500 Peixel	
Reading Precision	≥ 5mil	
Minimum Contrast	≥ 30%	
Decoding Capacity	Code128, EAN-13, EAN-8, Code39,UPC-A, UPC-E, Codabar, Interleaved 2 of 5,ISBN, Code 93, UCC/EAN-128, GS1 Databar, ect.	
Decoding Speed	280times/second	
Barcode Sensitivity	Tilt	±55°
	Rotate	±25°
	Deflection	±75°
Data Interface	micro usb	
Mechanical and Electric Performance		
Size(Length x Width x Height)	75.4×38.5×26 mm	
Weight	61g	
Indicator	Siren and LED light	
Battery Capacity	600mah	
Max. Power	750mw	
Worrking Voltage	DC5V	
Current	Max. Current	150ma
	Working Current	90ma
	Standby Current	68ma
	Sleeping Current	3ua
Charging Current	450ma	
Accessory List		
Data Cable	Micro USB	
Wireless Receiver	Bluetooth	
CD	1	
Operation Manual	1	
Charge Station	—	
Environment Parameter		
Storage Temperature	-40°C ~ 60°C	
Working Temperature	0°C ~ 50°C	
Relative Humidity	0 ~ 95%)	
Height Range	1.5M	
IP Rating	IP52	
Certification		
CE, RoHS, EMC, LVD, ISO9001:2000, ISO14001:2004		

INGER CERTIFICATION ASSESSMENT SERVICES



CERTIFICATE OF REGISTRATION

Certificate No.: 117 14 QU 0252-12 R05
This is to certify the quality management systems of

Shenzhen World Reputation Electronics Technology Co., LTD

Organization code 30608924-7

Location 6E, Xingqiang Commercial Mansion, No. 1 Dezheng Road, Shilong Community, Shiyan Street, Baoan District, Shenzhen

has been assessed and registered as meeting the requirements of ISO9001:2008

Scope of approval
R&D, Production of Barcode Scanning Identification Equipment

Signed by:  Approval Date: 26 Dec. 2014
Expiry Date: 25 Dec. 2017

Shenzhen Yumite Certification Assessment Services Co., Ltd.

China England Accreditation Services Ltd No. 1208

Tel: +86 755 23217676

Fax: +86 755 23217642

Web: www.yumite.com

Add: Room 601, Jiaoling Mansion, 1208 West Chongqing Rd., Futian District, Shenzhen, China, 518037





The certificate information can be checked on the CAS website: WWW.CAS.CN/CN. The validation of the certificate also can be obtained through www.yumite.com or by calling CAS Client Services Dept. This certificate is only valid when used together with related permits unless appropriate. This certificate holder must successfully pass yearly periodical audits to maintain the validity of the certificate after the certificate approval date. The certificate remains the property of CAS, to whom it must be returned if the management systems of the certificate holder is approved to fail to be in conformity with the certificate standard.

INGER CERTIFICATION ASSESSMENT SERVICES



CERTIFICATE OF REGISTRATION

Certificate No.: 117 14 E1 0796 R05
This is to certify the environmental management systems of

Shenzhen World Reputation Electronics Technology Co., LTD

Organization code 30608924-7

Location 6E, Xingqiang Commercial Mansion, No. 1 Dezheng Road, Shilong Community, Shiyan Street, Baoan District, Shenzhen

has been assessed and registered as meeting the requirements of GB/T24001-2004/ISO14001:2004

Scope of approval
The Related Environmental Management Activities of R&D, Production of Barcode Scanning Identification Equipment for Shenzhen World Reputation Electronics Technology Co., LTD Located in 6E, Xingqiang Commercial Mansion, No. 1 Dezheng Road, Shilong Community, Shiyan Street, Baoan District, Shenzhen

Signed by:  Approval Date: 26 Dec. 2014
Expiry Date: 25 Dec. 2017

Shenzhen Yumite Certification Assessment Services Co., Ltd.

China England Accreditation Services Ltd No. 1208

Tel: +86 755 23217676

Fax: +86 755 23217642

Web: www.yumite.com

Add: Room 601, Jiaoling Mansion, 1208 West Chongqing Rd., Futian District, Shenzhen, China, 518037





The certificate information can be checked on the CAS website: WWW.CAS.CN/CN. The validation of the certificate also can be obtained through www.yumite.com or by calling CAS Client Services Dept. This certificate is only valid when used together with related permits unless appropriate. This certificate holder must successfully pass yearly periodical audits to maintain the validity of the certificate after the certificate approval date. The certificate remains the property of CAS, to whom it must be returned if the management systems of the certificate holder is approved to fail to be in conformity with the certificate standard.



Certificate of Compliance

Certificate Number: UN2014122403RC-3

Applicant : Shenzhen World Reputation Electronics Technology Co., Ltd.
6F, B Building, B Area, Xingqiang Business Building, No.1, Dezheng Road,
Shilong Community, Shiyan, Bao'an District, Shenzhen

Manufacturer : Shenzhen World Reputation Electronics Technology Co., Ltd.
6F, B Building, B Area, Xingqiang Business Building, No.1, Dezheng Road,
Shilong Community, Shiyan, Bao'an District, Shenzhen

Product : Bar-code Scanner

Trade Name : Yumite

M/N : YT-1000, YT-760, YT-760A, YT-760B, YT-M200, YT-1100A, YT-1100B, YT-
M300, YT-2000, YT-2100A, YT-2100B, YT-M400, YT-XXXX

Test Standard: IEC62321:2013

The EUT described above has been consolidated by us and found in compliance with the council
RoHS Directive 2011/95/EU. It is only valid in connection with the test report number:
UN2014122403RR-3.

2014-12-24

Date of issue

Shenzhen United Testing Technology Co., Ltd.
Room 317-319, Block 1, University Town Technology Park,
5th Zone, South Section, Hongshuang Industrial Park,
Nanshan District, Shenzhen, P.R.C. 518055
Tel: +86-755-88130096 Fax: +86-755-88180138
<http://www.unt.com.cn> E-mail: info@unt.com.cn



RoHS



EC-R&TTE Certificate

Certificate Number: UN2014122403REC-1

Applicant : Shenzhen World Reputation Electronics Technology Co., Ltd.
6F, B Building, B Area, Xingqiang Business Building, No.1, Dezheng Road,
Shilong Community, Shiyan, Bao'an District, Shenzhen

Manufacturer : Shenzhen World Reputation Electronics Technology Co., Ltd.
6F, B Building, B Area, Xingqiang Business Building, No.1, Dezheng Road,
Shilong Community, Shiyan, Bao'an District, Shenzhen

Product : Bar-code Scanner

Trade Name : Yumite

M/N : YT-1300, YT-860, YT-1200, YT-1400, YT-1600, YT-2200, YT-2300, YT-2400,
YT-2500, YT-XXXX

Essential requirement	Applied Specifications/Standards	Documentary Evidence	Result
Art.3.1(a) Health	Not assessed		
Art.3.1(a) Safety	EN60950-1	UN2014122403ER-1	Pass
Art.3.1(b) EMC	ETSI EN301 488-1/3	UN2014122403ER-1	Pass
Art.3.2 Radio	ETSI EN300 440	UN2014122403ER-2	Pass

The EUT described above has been tested by us with the listed standards and found in compliance
with the council R&TTE directive 99/5/EC. It is possible to use CE marking to demonstrate the
compliance with this Directive.

The scope of evaluation relates to the submitted documents only.

2014-12-24

Date of issue

Shenzhen United Testing Technology Co., Ltd.
Room 317-319, Block 1, University Town Technology Park,
5th Zone, South Section, Hongshuang Industrial Park,
Nanshan District, Shenzhen, P.R.C. 518055
Tel: +86-755-88130096 Fax: +86-755-88180138
<http://www.unt.com.cn> E-mail: info@unt.com.cn



CE



Our factory

Yumite

