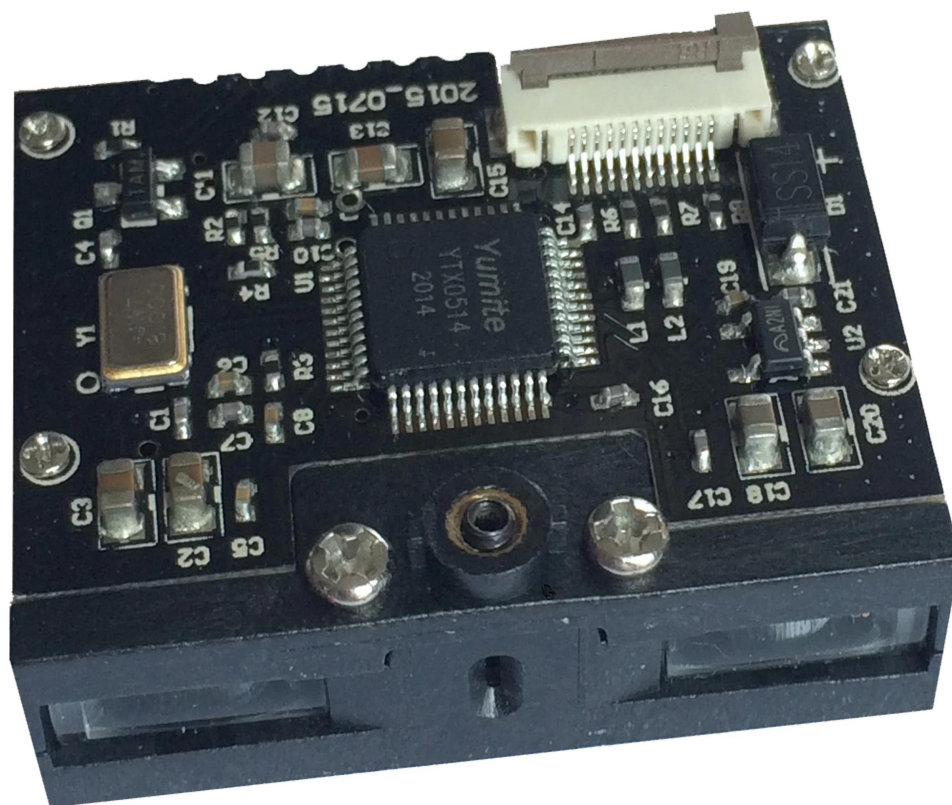


# Yumite CCD snímač čárových Scan Engine ER20



## Description

**Yumite**

YT-ER20 je první generace miniaturní CCD skenování stroj vyroben Yumite se stejným kompaktním z faktoru a modernizované 32 bitový mikroprocesor. Nový model má ostřejší snímací výkon a podporuje standardní sériový port, USB rozhraní a USB virtuální COM port.

## Function

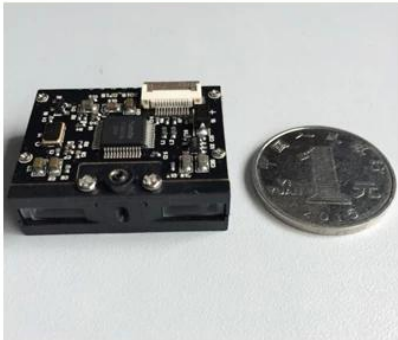
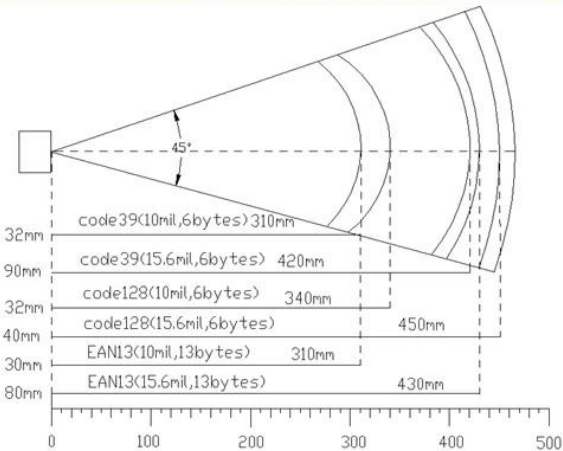
**Yumite**

to lze snadno integrovat beze změny stávající hardwarovou platformu ve většině případů. Představovat jeden z nejmenších stop Available a dvou montážních otvorů vyhrazeny, ER20 je určen pro snadnou integraci do většiny aplikací sběru dat.


## Specification

**Yumite**

# ER20 CCD Scan Engine Parameter

Parameter	Name	ER20 CCD module barcode reader
<b>Picture</b>		
Image		
<b>Performance Parameter</b>		
Depth Filed		
Optical Source	620nm Visible red light diode	
Imaging Sensor	CCD	
Resolution Ratio	2500 pixel	
Image Resolution	≥ 5mil	
Minimum Contrast	≥ 30%	
Barcode Types	Code128, EAN-13, EAN-8, Code39,UPC-A, UPC-E, Codabar, Interleaved 2 of 5,ISBN, Code 93, UCC/EAN-128, GS1 Databar etc.	
Decoding Speed	280times/s	
Barcode Sensitivity	Tilt	±55°
	Rotate	±25°
	Deflection	±75°
Data Interface Port	FPC flat cable、 separation distance: 12*0.5mm	
<b>Mechanical and Electric Performance</b>		
Size(Length x Width x Height)	33.7×25.8×9.9mm	
Weight (except cable)	9g	
Indicator	buzzer and LED light	
Max.Power	400mw	
Working Voltage	DC5V	
Current	Max.Current	80ma
	Working Current	74ma
	Stand-by Current	24ma
	Sleeping Current	—
<b>Accessory List</b>		
Data line	USB data line	
	RS232 data line	
<b>Environmental Parameter</b>		
Storage Temperature	-40°C ~ 60°C	
Working Temperature	0°C ~ 50°C	
Relative Humidity	0 ~ 95%	
<b>Certificates</b>		
CE,RoHS,EMC,LVD, ISO9001:2008, ISO14001:2004		

INGER CERTIFICATION ASSESSMENT SERVICES



### CERTIFICATE OF REGISTRATION


Certificate No.: 117 14 QU 0252-12 R05  
 This is to certify the quality management systems of

**Shenzhen World Reputation Electronics Technology Co., LTD**

Organization code 30608924-7

Location 6E, Xingqiang Commercial Mansion, No. 1 Dezheng Road, Shilong Community, Shiyan Street, Baoan District, Shenzhen

has been assessed and registered as meeting the requirements of ISO9001:2008  
 Scope of approval  
**R&D, Production of Barcode Scanning Identification Equipment**

Signed by:  Approval Date: 26 Dec. 2014  
 Expiry Date: 25 Dec. 2017



Shenzhen Inger Certification Assessment Services Co., Ltd.  
 1. Certification and Assessment Administration  
 2. China England Accreditation Services Co., Ltd.  
 Tel: +86 755 23127676  
 Fax: +86 755 23127642  
 Web: www.inger.com.cn  
 Add: Room 602, Jiaoling Mansion, 12888 Xixiang Road, Xixiang St., Bao'an District, Shenzhen, China 518107

The certificate information can be checked on the CAS's website: WWW.CAS.CN/CN. The validation of the certificate also can be obtained through www.inger.com.cn or by calling CAS' client services Dept. This certificate is only valid when used together with related permits unless appropriate. This certificate holder must successfully pass yearly periodical audits to maintain the validity of the certificate after the certificate approval date. The certificate retains the property of CAS, so when it must be returned if the management systems of the certificate holder is approved not to be in conformity with the certificate standard.

INGER CERTIFICATION ASSESSMENT SERVICES



### CERTIFICATE OF REGISTRATION

Certificate No.: 117 14 E1 0796 R05  
 This is to certify the environmental management systems of

**Shenzhen World Reputation Electronics Technology Co., LTD**

Organization code 30608924-7

Location 6E, Xingqiang Commercial Mansion, No. 1 Dezheng Road, Shilong Community, Shiyan Street, Baoan District, Shenzhen

has been assessed and registered as meeting the requirements of GB/T24001-2004/ISO14001:2004  
 Scope of approval  
**The Related Environmental Management Activities of R&D, Production of Barcode Scanning Identification Equipment for Shenzhen World Reputation Electronics Technology Co., LTD Located in 6E, Xingqiang Commercial Mansion, No. 1 Dezheng Road, Shilong Community, Shiyan Street, Baoan District, Shenzhen**

Signed by:  Approval Date: 26 Dec. 2014  
 Expiry Date: 25 Dec. 2017



Shenzhen Inger Certification Assessment Services Co., Ltd.  
 1. Certification and Assessment Administration  
 2. China England Accreditation Services Co., Ltd.  
 Tel: +86 755 23127676  
 Fax: +86 755 23127642  
 Web: www.inger.com.cn  
 Add: Room 602, Jiaoling Mansion, 12888 Xixiang Road, Xixiang St., Bao'an District, Shenzhen, China 518107

The certificate information can be checked on the CAS's website: WWW.CAS.CN/CN. The validation of the certificate also can be obtained through www.inger.com.cn or by calling CAS' client services Dept. This certificate is only valid when used together with related permits unless appropriate. This certificate holder must successfully pass yearly periodical audits to maintain the validity of the certificate after the certificate approval date. The certificate retains the property of CAS, so when it must be returned if the management systems of the certificate holder is approved not to be in conformity with the certificate standard.



# Certificate of Compliance

Certificate Number: UN2014122403RC-3

**Applicant** : Shenzhen World Reputation Electronics Technology Co., Ltd.  
6F, B Building, B Area, Xingqiang Business Building, No.1, Dezheng Road,  
Shilong Community, Shiyan, Bao'an District, Shenzhen

**Manufacturer** : Shenzhen World Reputation Electronics Technology Co., Ltd.  
6F, B Building, B Area, Xingqiang Business Building, No.1, Dezheng Road,  
Shilong Community, Shiyan, Bao'an District, Shenzhen

**Product** : Bar-code Scanner

**Trade Name** : Yumite

**M/N** : YT-1000, YT-760, YT-760A, YT-760B, YT-M200, YT-1100A, YT-1100B, YT-  
M300, YT-2000, YT-2100A, YT-2100B, YT-M400, YT-XXXX

Test Standard: IEC62321:2013

The EUT described above has been consolidated by us and found in compliance with the council RoHS Directive 2011/95/EU. It is only valid in connection with the test report number: UN2014122403RR-3.

2014-12-24

Date of issue

**Shenzhen United Testing Technology Co., Ltd.**  
Room 317-319, Block 1, University Town Technology Park,  
5<sup>th</sup> Zone, South Section, Hongshuang Industrial Park,  
Nanshan District, Shenzhen, P.R.C. 518055  
Tel: +86-755-88130096 Fax: +86-755-88180138  
<http://www.untt.com.cn> E-mail: [info@untt.com.cn](mailto:info@untt.com.cn)



# RoHS



# EC-R&TTE Certificate

Certificate Number: UN2014122403REC-1

**Applicant** : Shenzhen World Reputation Electronics Technology Co., Ltd.  
6F, B Building, B Area, Xingqiang Business Building, No.1, Dezheng Road,  
Shilong Community, Shiyan, Bao'an District, Shenzhen

**Manufacturer** : Shenzhen World Reputation Electronics Technology Co., Ltd.  
6F, B Building, B Area, Xingqiang Business Building, No.1, Dezheng Road,  
Shilong Community, Shiyan, Bao'an District, Shenzhen

**Product** : Bar-code Scanner

**Trade Name** : Yumite

**M/N** : YT-1300, YT-860, YT-1200, YT-1400, YT-1600, YT-2200, YT-2300, YT-2400,  
YT-2500, YT-XXXX

Essential requirement	Applied Specifications/Standards	Documentary Evidence	Result
Art.3.1(a) Health	Not assessed		
Art.3.1(a) Safety	EN60950-1	UN2014122403ER-1	Pass
Art.3.1(b) EMC	ETSI EN301 489-1/3	UN2014122403ER-1	Pass
Art.3.2 Radio	ETSI EN300 440	UN2014122403ER-2	Pass

The EUT described above has been tested by us with the listed standards and found in compliance with the council R&TTE directive 99/5/EC. It is possible to use CE marking to demonstrate the compliance with this Directive.

The scope of evaluation relates to the submitted documents only.

2014-12-24

Date of issue

**Shenzhen United Testing Technology Co., Ltd.**  
Room 317-319, Block 1, University Town Technology Park,  
5<sup>th</sup> Zone, South Section, Hongshuang Industrial Park,  
Nanshan District, Shenzhen, P.R.C. 518055  
Tel: +86-755-88130096 Fax: +86-755-88180138  
<http://www.untt.com.cn> E-mail: [info@untt.com.cn](mailto:info@untt.com.cn)



# CE



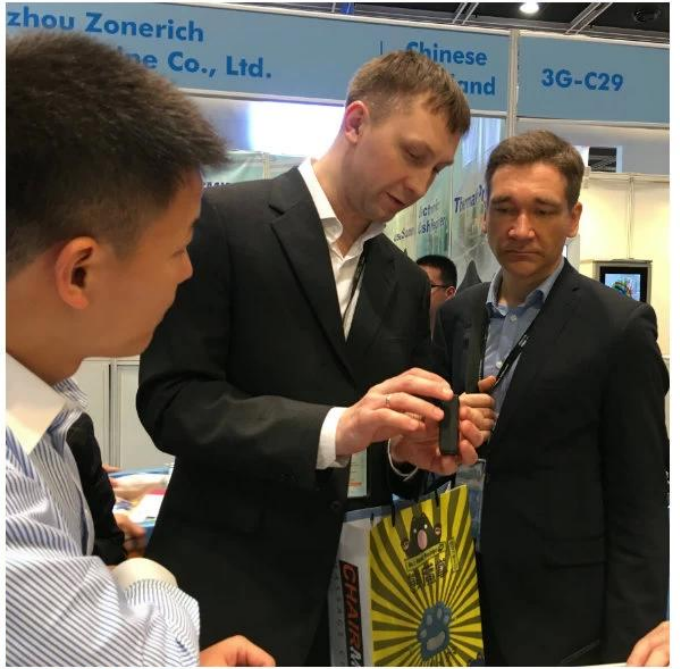
## Our factory

# Yumite



Customer visit

**Yumite**



Application **Yumite**

