

# Mini portable Bluetooth bar-Code-Reader mit neuer Technologie

## Description

**Yumite**

YT-1401MA ist ein Mini-Bluetooth-CCD-Barcode-Scanner, das Design ist sehr klein und fein, es ist bequem, nehmen die YT-1401MA, im Shop, Lager, Krankenhaus oder egal wo Sie sind und Sie nehmen es auf Ihrer Hand oder setzen Sie ihn einfach Inyour Tasche.


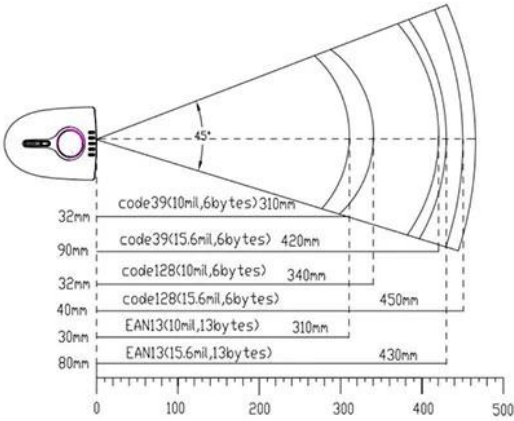
## Function

**Yumite**

der Bluetooth-CCD-Barcode-Scanner ist einfach für die Anwendung. Es kann mit dem Gerät gekoppelt werden mit Bluetooth, keine weitere Software. YT-1401MA Support für Ios, Mac, Android, Smartphone, PDA und so weiter.

## Specification

**Yumite**

Para	Model	YT-1401-MA
<b>Image</b>		
Image		
<b>Performance Parameter</b>		
Depth Filed		
Wireless transmitting distance (without barrier)	15 - 20M	
Infrared induction distance	---	
Optical Source	620nm Visible red light diode	
Imaging Sensor	CCD	
Image Resolution	2500 Peixel	
Reading Precision	≥ 5mil	
Minimum Contrast	≥ 30%	
Decoding Capacity	Code128, EAN-13, EAN-8, Code39,UPC-A, UPC-E, Codabar, Interleaved 2 of 5,ISBN, Code 93, UCC/EAN-128, GS1 Databar, ect.	
Decoding Speed	280times/second	
Barcode Sensitivity	Tilt	±55°
	Rotate	±25°
	Deflection	±75°
Data Interface	micro usb	
<b>Mechanical and Electric Performance</b>		
Size(Length x Width x Height)	75.4×38.5×26 mm	
Weight	61g	
Indicator	Siren and LED light	
Battery Capacity	600mah	
Max. Power	750mw	
Worrking Voltage	DC5V	
Current	Max. Current	150ma
	Working Current	90ma
	Standby Current	68ma
	Sleeping Current	3ua
Charging Current	450ma	
<b>Accessory List</b>		
Data Cable	Micro USB	
Wireless Receiver	Bluetooth	
CD	1	
Operation Manual	1	
Charge Station	---	
<b>Environment Parameter</b>		
Storage Temperature	-40°C ~ 60°C	
Working Temperature	0°C ~ 50°C	
Relative Humidity	0 ~ 95% )	
Height Range	1.5M	
IP Rating	IP52	
<b>Certification</b>		
CE, RoHS, EMC, LVD, ISO9001:2000, ISO14001:2004		



## Certificate of Compliance

Certificate Number: UN2014122403RC-3

**Applicant** : Shenzhen World Reputation Electronics Technology Co., Ltd.  
6F, B Building, B Area, Xingqiang Business Building, No.1, Dezheng Road,  
Shilong Community, Shiyan, Bao'an District, Shenzhen

**Manufacturer** : Shenzhen World Reputation Electronics Technology Co., Ltd.  
6F, B Building, B Area, Xingqiang Business Building, No.1, Dezheng Road,  
Shilong Community, Shiyan, Bao'an District, Shenzhen

**Product** : Bar-code Scanner

**Trade Name** : Yumite

**Model** : YT-1200, YT-780, YT-780A, YT-780B, YT-8200, YT-1100A, YT-1100B, YT-  
M300, YT-2000, YT-2100A, YT-2100B, YT-M400, YT-XXXX

Test Standard: IEC62321-2013

The EUT described above has been consolidated by us and found in compliance with the council  
RoHS Directive 2011/65/EU. It is only valid in connection with the test report number:  
UN2014122403RR-3.

2014-12-24  
Date of issue



# RoHS



**Shenzhen United Testing Technology Co., Ltd.**  
Room 317-319, Block 1, University Town Technology Park,  
3<sup>rd</sup> Zone, South Section, Hongqiang Industrial Park,  
Nanshan District, Shenzhen, PRC. 518055  
Tel: +86-755-86180096 Fax: +86-755-86180156  
Web: [www.unt.com.cn](http://www.unt.com.cn) E-mail: [info@unt.com.cn](mailto:info@unt.com.cn)



## EC-R&TTE Certificate

Certificate Number: UN2014122403EC-1

**Applicant** : Shenzhen World Reputation Electronics Technology Co., Ltd.  
6F, B Building, B Area, Xingqiang Business Building, No.1, Dezheng Road,  
Shilong Community, Shiyan, Bao'an District, Shenzhen

**Manufacturer** : Shenzhen World Reputation Electronics Technology Co., Ltd.  
6F, B Building, B Area, Xingqiang Business Building, No.1, Dezheng Road,  
Shilong Community, Shiyan, Bao'an District, Shenzhen

**Product** : Bar-code Scanner

**Trade Name** : Yumite

**Model** : YT-1300, YT-860, YT-1200, YT-1400, YT-1500, YT-2300, YT-2400,  
YT-2500, YT-XXXX

Essential requirement	Applied Specifications/Standards	Documentary Evidence	Result
Art.3.1(a) Health	Not assessed		
Art.3.1(a) Safety	EN60950-1	UN2014122403SR-1	Pass
Art.3.1(b) EMC	ETSI EN301 488-10-3	UN2014122403ER-1	Pass
Art.3.2 Radio	ETSI EN300 440	UN2014122403ER-2	Pass

The EUT described above has been tested by us with the listed standards and found in compliance  
with the council R&TTE directive 99/5/EC. It is possible to use CE marking to demonstrate the  
compliance with this Directive.

The scope of evaluation relates to the submitted documents only.

2014-12-24  
Date of issue



# CE



**Shenzhen United Testing Technology Co., Ltd.**  
Room 317-319, Block 1, University Town Technology Park,  
3<sup>rd</sup> Zone, South Section, Hongqiang Industrial Park,  
Nanshan District, Shenzhen, PRC. 518055  
Tel: +86-755-86180096 Fax: +86-755-86180156  
Web: [www.unt.com.cn](http://www.unt.com.cn) E-mail: [info@unt.com.cn](mailto:info@unt.com.cn)



# CERTIFICATE OF REGISTRATION

Certificate No.: 117 14 QU 0252-12 R05  
This is to certify the quality management systems of

**Shenzhen World Reputation Electronics Technology Co., LTD**

Organization code 30608924-7

Location 6F, Xingqiang Commercial Mansion, No. 1 Dezheng Road, Shilong Community, Shiyan Street, Baoan District, Shenzhen

has been assessed and registered as meeting the requirements of ISO9001:2008

Scope of approval

R&D, Production of Barcode Scanning Identification Equipment

Signed by:

Approval Date: 26 Dec. 2014  
Expiry Date: 25 Dec. 2017

Shenzhen Inceer Certification Assessment Services Co., Ltd.  
Certification and Accreditation Administration of China  
China National Accreditation Service for Conformity Assessment  
Tel: +86 (0)755 21021790  
Fax: +86 (0)755 21021791  
Web: www.inceer.com  
Add: Room 601, Xingqiang Mansion, 10001 West Zhongshan Rd.,  
Shiyan Street, Baoan District, Shenzhen, 518102



The certificate information can be checked on the CNCA website: WWW.CNCA.GOV.CN. The validation of the certificate also can be obtained through www.inceer.com or by calling CAS (China) Service Dept. This certificate is only valid when used together with related permits unless otherwise specified. This certificate holder must successfully pass yearly performance audits to maintain the validity of the certificate after the certificate approval date. The Certificate retains the property of CAS, so when it must be replaced if the management systems of the certificate holder is approved to fail to be in conformity with the certification standard.



# CERTIFICATE OF REGISTRATION

Certificate No.: 117 14 EI 0796 R05  
This is to certify the environmental management systems of

**Shenzhen World Reputation Electronics Technology Co., LTD**

Organization code 30608924-7

Location 6F, Xingqiang Commercial Mansion, No. 1 Dezheng Road, Shilong Community, Shiyan Street, Baoan District, Shenzhen

has been assessed and registered as meeting the requirements of GB/T24001-2004/ISO14001:2004

Scope of approval

The Related Environmental Management Activities of R&D, Production of Barcode Scanning Identification Equipment for Shenzhen World Reputation Electronics Technology Co., LTD Located in 6F, Xingqiang Commercial Mansion, No. 1 Dezheng Road, Shilong Community, Shiyan Street, Baoan District, Shenzhen

Signed by:

Approval Date: 26 Dec. 2014  
Expiry Date: 25 Dec. 2017

Shenzhen Inceer Certification Assessment Services Co., Ltd.  
Certification and Accreditation Administration of China  
China National Accreditation Service for Conformity Assessment  
Tel: +86 (0)755 21021790  
Fax: +86 (0)755 21021791  
Web: www.inceer.com  
Add: Room 601, Xingqiang Mansion, 10001 West Zhongshan Rd.,  
Shiyan Street, Baoan District, Shenzhen, 518102



The certificate information can be checked on the CNCA website: WWW.CNCA.GOV.CN. The validation of the certificate also can be obtained through www.inceer.com or by calling CAS (China) Service Dept. This certificate is only valid when used together with related permits unless otherwise specified. This certificate holder must successfully pass yearly performance audits to maintain the validity of the certificate after the certificate approval date. The Certificate retains the property of CAS, so when it must be replaced if the management systems of the certificate holder is approved to fail to be in conformity with the certification standard.



# Factory



Application

**Yumite**

