

CCD portátil escáner de código de barras inalámbrico bluetooth MINI



Description

YT-1401MA es un escáner de código de barras CCD bluetooth mini, el diseño es muy pequeño y exquisito, es conveniente tomar el YT-1401MA, en la tienda, almacén, hospital o no importa dónde se encuentre y lo lleve en su mano o sólo hay que poner inyour bolsillo.


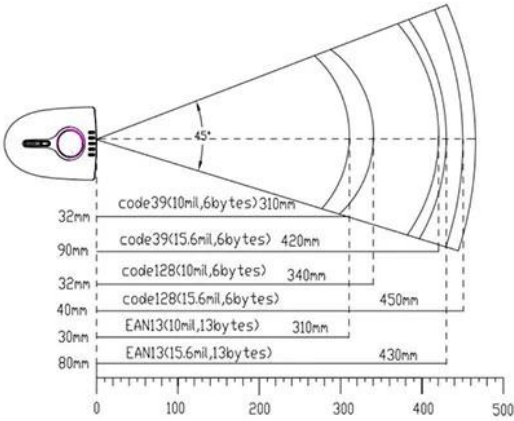


Feature

el escáner de códigos de barras CCD bluetooth es fácil de utilizar. que se puede combinar con el dispositivo, que es con el bluetooth, hay más ios apoyo software.YT-1401MA, Mac, Android, teléfonos inteligentes, PDA y así sucesivamente.



Specification

Para	Model	YT-1401-MA
Image		
Image		
Performance Parameter		
Depth Filed		
Wireless transmitting distance (without barrier)	15 - 20M	
Infrared induction distance	—	
Optical Source	620nm Visible red light diode	
Imaging Sensor	CCD	
Image Resolution	2500 Peixel	
Reading Precision	≥ 5mil	
Minimum Contrast	≥ 30%	
Decoding Capacity	Code128, EAN-13, EAN-8, Code39,UPC-A, UPC-E, Codabar, Interleaved 2 of 5,ISBN, Code 93, UCC/EAN-128, GS1 Databar, ect.	
Decoding Speed	280times/second	
Barcode Sensitivity	Tilt	±55°
	Rotate	±25°
	Deflection	±75°
Data Interface	micro usb	
Mechanical and Electric Performance		
Size(Length x Width x Height)	75.4×38.5×26 mm	
Weight	61g	
Indicator	Siren and LED light	
Battery Capacity	600mah	
Max. Power	750mw	
Worrking Voltage	DC5V	
Current	Max. Current	150ma
	Working Current	90ma
	Standby Current	68ma
	Sleeping Current	3ua
Charging Current	450ma	
Accessory List		
Data Cable	Micro USB	
Wireless Receiver	Bluetooth	
CD	1	
Operation Manual	1	
Charge Station	—	
Environment Parameter		
Storage Temperature	-40°C ~ 60°C	
Working Temperature	0°C ~ 50°C	
Relative Humidity	0 ~ 95%)	
Height Range	1.5M	
IP Rating	IP52	
Certification		
CE, RoHS, EMC, LVD, ISO9001:2000, ISO14001:2004		



Certification



CERTIFICATE OF REGISTRATION

Certificate No.: 117 14 QU 0252-12 R05
This is to certify the quality management systems of

Shenzhen World Reputation Electronics Technology Co., LTD

Organization code 30608924-7

Location 6F, Xingqiang Commercial Mansion, No. 1 Dezheng Road, Shilong Community, Shiyuan Street, Baoan District, Shenzhen

has been assessed and registered as meeting the requirements of ISO9001:2008
Scope of approval

R&D, Production of Barcode Scanning Identification Equipment

Signed by:

Approval Date: 26 Dec. 2014
Expiry Date: 25 Dec. 2017

Shenzhen Ingeer Certification Assessment Services Co., Ltd.
11714 Quality Management System Certification Service Center
China National Accreditation Service for Conformity Assessment (CNAS)
Tel: +86 755 2322 7676
Fax: +86 755 2322 7676
Mail: www.ingeer.com.cn
Add: Room 302, Jianfeng Mansion, 12885 Xixiang Road, Shenzhen, China, 518102



The certificate information can be checked on the CNAS website: WWW.CNAS.CN/CN. The validation of the certificate also can be obtained through www.ingeer.com.cn or by calling CAS Client Services Dept. This certificate is only valid when used together with related permits unless appropriate. This certificate holder must successfully pass yearly periodical audits to maintain the validity of the certificate after the certificate approval date. The Certificate retains the property of CAS, so when it must be returned if the management system of the certificate holder is approved no longer to be in conformity with the certificate standard.



CERTIFICATE OF REGISTRATION

Certificate No.: 117 14 E1 0796 R05
This is to certify the environmental management systems of

Shenzhen World Reputation Electronics Technology Co., LTD

Organization code 30608924-7

Location 6F, Xingqiang Commercial Mansion, No. 1 Dezheng Road, Shilong Community, Shiyuan Street, Baoan District, Shenzhen

has been assessed and registered as meeting the requirements of GB/T24001-2004/ISO14001:2004
Scope of approval

The Related Environmental Management Activities of R&D, Production of Barcode Scanning Identification Equipment for Shenzhen World Reputation Electronics Technology Co., LTD Located in 6F, Xingqiang Commercial Mansion, No. 1 Dezheng Road, Shilong Community, Shiyuan Street, Baoan District, Shenzhen

Signed by:

Approval Date: 26 Dec. 2014
Expiry Date: 25 Dec. 2017

Shenzhen Ingeer Certification Assessment Services Co., Ltd.
11714 Environmental Management System Certification Service Center
China National Accreditation Service for Conformity Assessment (CNAS)
Tel: +86 755 2322 7676
Fax: +86 755 2322 7676
Mail: www.ingeer.com.cn
Add: Room 302, Jianfeng Mansion, 12885 Xixiang Road, Shenzhen, China, 518102



The certificate information can be checked on the CNAS website: WWW.CNAS.CN/CN. The validation of the certificate also can be obtained through www.ingeer.com.cn or by calling CAS Client Services Dept. This certificate is only valid when used together with related permits unless appropriate. This certificate holder must successfully pass yearly periodical audits to maintain the validity of the certificate after the certificate approval date. The Certificate retains the property of CAS, so when it must be returned if the management system of the certificate holder is approved no longer to be in conformity with the certificate standard.



Certificate of Compliance

Certificate Number: UN2014122403RC-3

Applicant : Shenzhen World Reputation Electronics Technology Co., Ltd.
6F, B Building, B Area, Xingqiang Business Building, No.1, Dezheng Road,
Shilong Community, Shiyan, Bao'an District, Shenzhen

Manufacturer : Shenzhen World Reputation Electronics Technology Co., Ltd.
6F, B Building, B Area, Xingqiang Business Building, No.1, Dezheng Road,
Shilong Community, Shiyan, Bao'an District, Shenzhen

Product : Bar-code Scanner

Trade Name : Yumita

M/N : YT-1000, YT-760, YT-760A, YT-760B, YT-M200, YT-1100A, YT-1100B, YT-
M300, YT-2000, YT-2100A, YT-2100B, YT-M400, YT-XXXX

Test Standard: IEC62321:2013

The EUT described above has been consolidated by us and found in compliance with the council RoHS Directive 2011/95/EU. It is only valid in connection with the test report number: UN2014122403RR-3.

2014-12-24
Date of issue



RoHS



Shenzhen United Testing Technology Co., Ltd.
Room 317-319, Block 1, University Town Technology Park,
5th Zone, South Section, Hongshuang Industrial Park,
Nanshan District, Shenzhen, PRC, 518055
Tel: +86-755-88130096 Fax: +86-755-88180138
<http://www.uttt.com.cn> E-mail: info@uttt.com.cn



EC-R&TTE Certificate

Certificate Number: UN2014122403REC-1

Applicant : Shenzhen World Reputation Electronics Technology Co., Ltd.
6F, B Building, B Area, Xingqiang Business Building, No.1, Dezheng Road,
Shilong Community, Shiyan, Bao'an District, Shenzhen

Manufacturer : Shenzhen World Reputation Electronics Technology Co., Ltd.
6F, B Building, B Area, Xingqiang Business Building, No.1, Dezheng Road,
Shilong Community, Shiyan, Bao'an District, Shenzhen

Product : Bar-code Scanner

Trade Name : Yumita

M/N : YT-1300, YT-860, YT-1200, YT-1400, YT-1600, YT-2200, YT-2300, YT-2400,
YT-2500, YT-XXXX

Essential requirement	Applied Specifications/Standards	Documentary Evidence	Result
Art.3.1(a) Health	Not assessed		
Art.3.1(a) Safety	EN60950-1	UN2014122403ER-1	Pass
Art.3.1(b) EMC	ETSI EN301 489-1/3	UN2014122403ER-1	Pass
Art.3.2 Radio	ETSI EN300 440	UN2014122403ER-2	Pass

The EUT described above has been tested by us with the listed standards and found in compliance with the council R&TTE directive 99/5/EC. It is possible to use CE marking to demonstrate the compliance with this Directive.

The scope of evaluation relates to the submitted documents only.

2014-12-24
Date of issue



CE



Shenzhen United Testing Technology Co., Ltd.
Room 317-319, Block 1, University Town Technology Park,
5th Zone, South Section, Hongshuang Industrial Park,
Nanshan District, Shenzhen, PRC, 518055
Tel: +86-755-88130096 Fax: +86-755-88180138
<http://www.uttt.com.cn> E-mail: info@uttt.com.cn



Useage



Factory



企业文化 Corporate culture

企业愿景 Corporate vision

成为一家深受社会尊敬的企业
To be one well-beloved enterprise by our society.

企业价值 Corporate value

以科技创新优化人类生活品质
To optimize the life quality for human being by our technical innovation.

企业理念 Corporate philosophy

执行高效团结，坚持拼搏共赢
To carry out efficient unity, insist struggle and win-win.

企业品格 Corporate moral

责任、忠诚、感恩、分享
Responsible, loyal, grateful and share.

企业精神 Corporate spirit

历经千辛万苦
Go through innumerable trials and hardships.