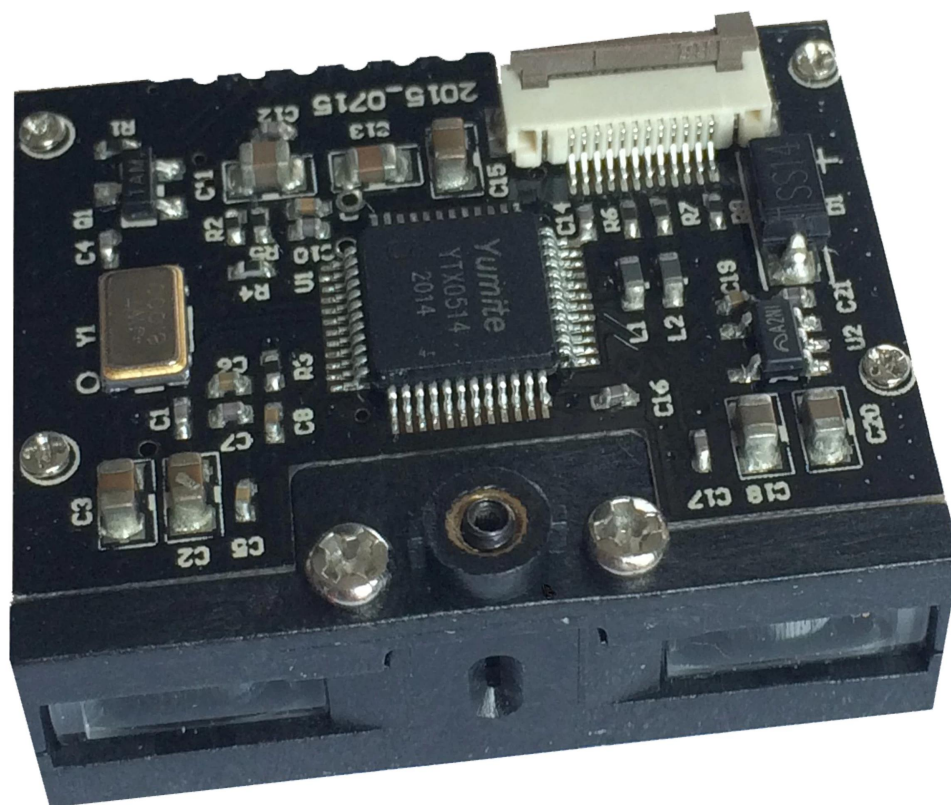


# Yumite CCD barcode Scan Engine ER20



## Description

**Yumite**

YT-ER20 is the first generation miniature CCD scan engine made by Yumite with the same compact form factor and upgraded 32 bit microprocessor. The new model has a sharper scanning performance and supports standard serial, USB interface, and USB virtual COM port.

## Function

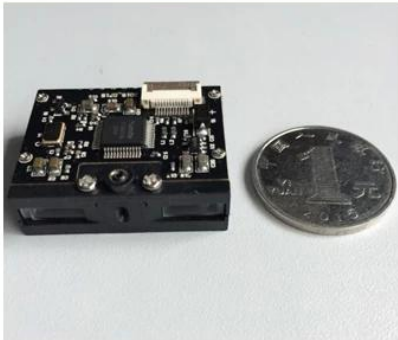
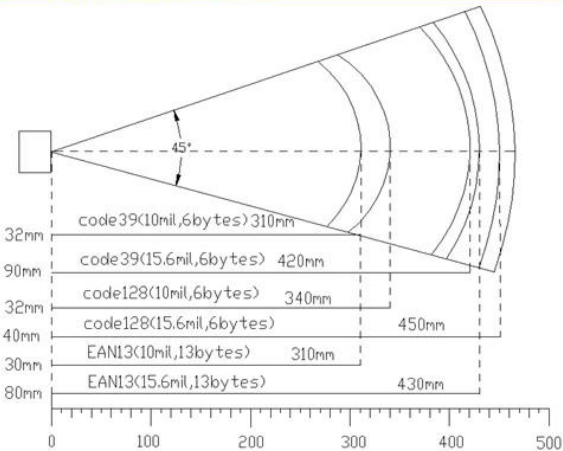
**Yumite**

It can be easily integrated without modifying existing hardware platform in most cases. Featuring one of the smallest footprints available and two mounting holes reserved.

## Specification

**Yumite**

# ER20 CCD Scan Engine Parameter

| Parameter                                    | Name  | ER20 CCD module barcode reader |
|--|---|--------------------------------|
| <b>Picture</b>                               |   |                                |
| Image  |                                      |                                |
| <b>Performance Parameter</b>                 |   |                                |
| Depth Filed                                  |                                    |                                |
| Optical Source                               | 620nm Visible red light diode   |                                |
| Imaging Sensor                               | CCD   |                                |
| Resolution Ratio                             | 2500 pixel  |                                |
| Image Resolution                             | ≥ 5mil  |                                |
| Minimum Contrast                             | ≥ 30%   |                                |
| Barcode Types                                | Code128, EAN-13, EAN-8, Code39,UPC-A, UPC-E, Codabar, Interleaved 2 of 5,ISBN, Code 93, UCC/EAN-128, GS1 Databar etc. |                                |
| Decoding Speed                               | 280times/s  |                                |
| Barcode Sensitivity                          | Tilt  | ±55°                           |
|  | Rotate  | ±25°                           |
|  | Deflection  | ±75°                           |
| Data Interface Port                          | FPC flat cable、 separation distance: 12*0.5mm   |                                |
| <b>Mechanical and Electric Performance</b>   |   |                                |
| Size(Length x Width x Height)                | 33.7×25.8×9.9mm   |                                |
| Weight (except cable)                        | 9g  |                                |
| Indicator                                    | buzzer and LED light  |                                |
| Max.Power                                    | 400mw   |                                |
| Working Voltage                              | DC5V  |                                |
| Current                                      | Max.Current   | 80ma                           |
|  | Working Current   | 74ma                           |
|  | Stand-by Current  | 24ma                           |
|  | Sleeping Current  | —                              |
| <b>Accessory List</b>                        |   |                                |
| Data line                                    | USB data line   |                                |
|  | RS232 data line   |                                |
| <b>Environmental Parameter</b>               |   |                                |
| Storage Temperature                          | -40°C ~ 60°C  |                                |
| Working Temperature                          | 0°C ~ 50°C  |                                |
| Relative Humidity                            | 0 ~ 95%   |                                |
| <b>Certificates</b>                          |   |                                |
| CE,RoHS,EMC,LVD, ISO9001:2008, ISO14001:2004 |   |                                |

INGER CERTIFICATION ASSESSMENT SERVICES



## CERTIFICATE OF REGISTRATION

Certificate No.: 117 14 QU 0252-12 R05  
This is to certify the quality management systems of


**Shenzhen World Reputation Electronics Technology Co., LTD**

Organization code 30608924-7

Location 6E, Xingqiang Commercial Mansion, No. 1 Dezheng Road, Shilong Community, Shiyan Street, Baoan District, Shenzhen

has been assessed and registered as meeting the requirements of ISO9001:2008

Scope of approval  
**R&D, Production of Barcode Scanning Identification Equipment**

Signed by:  Approval Date: 26 Dec. 2014  
Expiry Date: 25 Dec. 2017

Shenzhen Yumite Certification Assessment Services Co., Ltd.

China England Accreditation Services Ltd No. 1208

Tel: +86 755 26121766

Fax: +86 755 26121762

Web: www.yumite.com

Add: Room 601, Jiaoling Mansion, 1208 West Zhongshan Rd., Futian District, Shenzhen, China, 518037





The certificate information can be checked on the CAS's website: WWW.CAS.CN/CN. The validation of the certificate also can be obtained through www.yumite.com or by calling CAS' client services Dept. This certificate is only valid when used together with related permits unless appropriate. This certificate holder must successfully pass yearly periodical audits to maintain the validity of the certificate after the certificate approval date. The certificate remains the property of CAS, to whom it must be returned if the management systems of the certificate holder is approved to fail to be in conformity with the certificate standard.

INGER CERTIFICATION ASSESSMENT SERVICES



## CERTIFICATE OF REGISTRATION

Certificate No.: 117 14 E1 0796 R05  
This is to certify the environmental management systems of

**Shenzhen World Reputation Electronics Technology Co., LTD**

Organization code 30608924-7

Location 6E, Xingqiang Commercial Mansion, No. 1 Dezheng Road, Shilong Community, Shiyan Street, Baoan District, Shenzhen

has been assessed and registered as meeting the requirements of GB/T24001-2004/ISO14001:2004

Scope of approval  
**The Related Environmental Management Activities of R&D, Production of Barcode Scanning Identification Equipment for Shenzhen World Reputation Electronics Technology Co., LTD Located in 6E, Xingqiang Commercial Mansion, No. 1 Dezheng Road, Shilong Community, Shiyan Street, Baoan District, Shenzhen**

Signed by:  Approval Date: 26 Dec. 2014  
Expiry Date: 25 Dec. 2017

Shenzhen Yumite Certification Assessment Services Co., Ltd.

China England Accreditation Services Ltd No. 1208

Tel: +86 755 26121766

Fax: +86 755 26121762

Web: www.yumite.com

Add: Room 601, Jiaoling Mansion, 1208 West Zhongshan Rd., Futian District, Shenzhen, China, 518037





The certificate information can be checked on the CAS's website: WWW.CAS.CN/CN. The validation of the certificate also can be obtained through www.yumite.com or by calling CAS' client services Dept. This certificate is only valid when used together with related permits unless appropriate. This certificate holder must successfully pass yearly periodical audits to maintain the validity of the certificate after the certificate approval date. The certificate remains the property of CAS, to whom it must be returned if the management systems of the certificate holder is approved to fail to be in conformity with the certificate standard.



# Certificate of Compliance

Certificate Number: UN2014122403RC-3

**Applicant** : Shenzhen World Reputation Electronics Technology Co., Ltd.  
6F, B Building, B Area, Xingqiang Business Building, No.1, Dezheng Road,  
Shilong Community, Shiyan, Bao'an District, Shenzhen

**Manufacturer** : Shenzhen World Reputation Electronics Technology Co., Ltd.  
6F, B Building, B Area, Xingqiang Business Building, No.1, Dezheng Road,  
Shilong Community, Shiyan, Bao'an District, Shenzhen

**Product** : Bar-code Scanner

**Trade Name** : Yumite

**M/N** : YT-1000, YT-760, YT-760A, YT-760B, YT-M200, YT-1100A, YT-1100B, YT-  
M300, YT-2000, YT-2100A, YT-2100B, YT-M400, YT-XXXX

Test Standard: IEC62321:2013

The EUT described above has been consolidated by us and found in compliance with the council  
RoHS Directive 2011/95/EU. It is only valid in connection with the test report number:  
UN2014122403RR-3.

2014-12-24  
Date of issue



# RoHS



Shenzhen United Testing Technology Co., Ltd.  
Room 317-319, Block 1, University Town Technology Park,  
5<sup>th</sup> Zone, South Section, Hongshuang Industrial Park,  
Nanshan District, Shenzhen, P.R.C. 518055  
Tel: +86-755-88130096 Fax: +86-755-88180138  
<http://www.unt.com.cn> E-mail: [info@unt.com.cn](mailto:info@unt.com.cn)



# EC-R&TTE Certificate

Certificate Number: UN2014122403EC-1

**Applicant** : Shenzhen World Reputation Electronics Technology Co., Ltd.  
6F, B Building, B Area, Xingqiang Business Building, No.1, Dezheng Road,  
Shilong Community, Shiyan, Bao'an District, Shenzhen

**Manufacturer** : Shenzhen World Reputation Electronics Technology Co., Ltd.  
6F, B Building, B Area, Xingqiang Business Building, No.1, Dezheng Road,  
Shilong Community, Shiyan, Bao'an District, Shenzhen

**Product** : Bar-code Scanner

**Trade Name** : Yumite

**M/N** : YT-1300, YT-860, YT-1200, YT-1400, YT-1600, YT-2200, YT-2300, YT-2400,  
YT-2500, YT-XXXX

| Essential requirement | Applied Specifications/Standards | Documentary Evidence | Result |
|-----------------------|----------------------------------|----------------------|--------|
| Art.3.1(a) Health     | Not assessed                     |                      |        |
| Art.3.1(a) Safety     | EN60950-1                        | UN2014122403ER-1     | Pass   |
| Art.3.1(b) EMC        | ETSI EN301 489-1/3               | UN2014122403ER-1     | Pass   |
| Art.3.2 Radio         | ETSI EN300 440                   | UN2014122403ER-2     | Pass   |

The EUT described above has been tested by us with the listed standards and found in compliance  
with the council R&TTE directive 99/5/EC. It is possible to use CE marking to demonstrate the  
compliance with this Directive.

The scope of evaluation relates to the submitted documents only.

2014-12-24  
Date of issue



# CE



Shenzhen United Testing Technology Co., Ltd.  
Room 317-319, Block 1, University Town Technology Park,  
5<sup>th</sup> Zone, South Section, Hongshuang Industrial Park,  
Nanshan District, Shenzhen, P.R.C. 518055  
Tel: +86-755-88130096 Fax: +86-755-88180138  
<http://www.unt.com.cn> E-mail: [info@unt.com.cn](mailto:info@unt.com.cn)

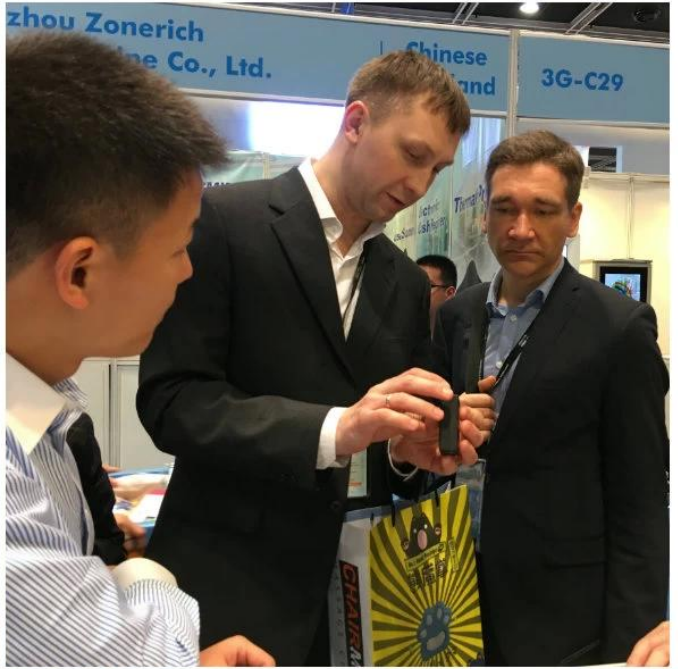
Our factory

**Yumite**



Customer visit

**Yumite**



Application **Yumite**

