

YT-1402MA wireless mini portable CCD bluetooth barcode scanner

Description

Yumite

YT-1402MA is a mini bluetooth CCD barcode scanner,the design is very small and exquisite, it is convenient to take the YT-1402MA , in the shop, warehouse, hospital or no matter where you are and you take it on your hand or just put it in your pocket .


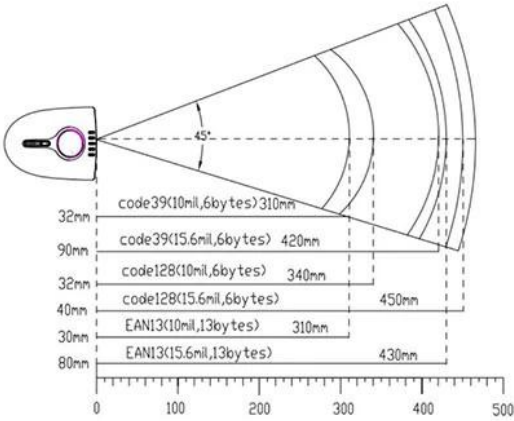
Function

Yumite

the bluetooth CCD barcode scanner is easy for using. it can be paired with your device which is with bluetooth, no more software.YT-1401MA support ios, Mac, Android, smart phone,PDA and so on.

Specification

Yumite

Para	Model	YT-1401-MA
Image		
Image		
Performance Parameter		
Depth Filed		
Wireless transmitting distance (without barrier)	15 - 20M	
Infrared induction distance	—	
Optical Source	620nm Visible red light diode	
Imaging Sensor	CCD	
Image Resolution	2500 Peixel	
Reading Precision	≥ 5mil	
Minimum Contrast	≥ 30%	
Decoding Capacity	Code128, EAN-13, EAN-8, Code39,UPC-A, UPC-E, Codabar, Interleaved 2 of 5,ISBN, Code 93, UCC/EAN-128, GS1 Databar, ect.	
Decoding Speed	280times/second	
Barcode Sensitivity	Tilt	±55°
	Rotate	±25°
	Deflection	±75°
Data Interface	micro usb	
Mechanical and Electric Performance		
Size(Length x Width x Height)	75.4×38.5×26 mm	
Weight	61g	
Indicator	Siren and LED light	
Battery Capacity	600mah	
Max. Power	750mw	
Worrking Voltage	DC5V	
Current	Max. Current	150ma
	Working Current	90ma
	Standby Current	68ma
	Sleeping Current	3ua
Charging Current	450ma	
Accessory List		
Data Cable	Micro USB	
Wireless Receiver	Bluetooth	
CD	1	
Operation Manual	1	
Charge Station	—	
Environment Parameter		
Storage Temperature	-40°C ~ 60°C	
Working Temperature	0°C ~ 50°C	
Relative Humidity	0 ~ 95%)	
Height Range	1.5M	
IP Rating	IP52	
Certification		
CE, RoHS, EMC, LVD, ISO9001:2000, ISO14001:2004		



Certificate of Compliance

Certificate Number: UN2014122403RC-3

Applicant : Shenzhen World Reputation Electronics Technology Co., Ltd.
6F, B Building, B Area, Xingqiang Business Building, No.1, Dezheng Road, Shilong Community, Shiyan, Bao'an District, Shenzhen

Manufacturer : Shenzhen World Reputation Electronics Technology Co., Ltd.
6F, B Building, B Area, Xingqiang Business Building, No.1, Dezheng Road, Shilong Community, Shiyan, Bao'an District, Shenzhen

Product : Bar-code Scanner

Trade Name : Yumite

Model : YT-1200, YT-780, YT-780A, YT-780B, YT-8200, YT-1100A, YT-1100B, YT-1100C, YT-1100D, YT-1100E, YT-1100F, YT-1100G, YT-1100H, YT-1100I, YT-1100J, YT-1100K, YT-1100L, YT-1100M, YT-1100N, YT-1100O, YT-1100P, YT-1100Q, YT-1100R, YT-1100S, YT-1100T, YT-1100U, YT-1100V, YT-1100W, YT-1100X, YT-1100Y, YT-1100Z, YT-1100AA, YT-1100AB, YT-1100AC, YT-1100AD, YT-1100AE, YT-1100AF, YT-1100AG, YT-1100AH, YT-1100AI, YT-1100AJ, YT-1100AK, YT-1100AL, YT-1100AM, YT-1100AN, YT-1100AO, YT-1100AP, YT-1100AQ, YT-1100AR, YT-1100AS, YT-1100AT, YT-1100AU, YT-1100AV, YT-1100AW, YT-1100AX, YT-1100AY, YT-1100AZ, YT-1100BA, YT-1100BB, YT-1100BC, YT-1100BD, YT-1100BE, YT-1100BF, YT-1100BG, YT-1100BH, YT-1100BI, YT-1100BJ, YT-1100BK, YT-1100BL, YT-1100BM, YT-1100BN, YT-1100BO, YT-1100BP, YT-1100BQ, YT-1100BR, YT-1100BS, YT-1100BT, YT-1100BU, YT-1100BV, YT-1100BW, YT-1100BX, YT-1100BY, YT-1100BZ, YT-1100CA, YT-1100CB, YT-1100CC, YT-1100CD, YT-1100CE, YT-1100CF, YT-1100CG, YT-1100CH, YT-1100CI, YT-1100CJ, YT-1100CK, YT-1100CL, YT-1100CM, YT-1100CN, YT-1100CO, YT-1100CP, YT-1100CQ, YT-1100CR, YT-1100CS, YT-1100CT, YT-1100CU, YT-1100CV, YT-1100CW, YT-1100CX, YT-1100CY, YT-1100CZ, YT-1100DA, YT-1100DB, YT-1100DC, YT-1100DD, YT-1100DE, YT-1100DF, YT-1100DG, YT-1100DH, YT-1100DI, YT-1100DJ, YT-1100DK, YT-1100DL, YT-1100DM, YT-1100DN, YT-1100DO, YT-1100DP, YT-1100DQ, YT-1100DR, YT-1100DS, YT-1100DT, YT-1100DU, YT-1100DV, YT-1100DW, YT-1100DX, YT-1100DY, YT-1100DZ, YT-1100EA, YT-1100EB, YT-1100EC, YT-1100ED, YT-1100EE, YT-1100EF, YT-1100EG, YT-1100EH, YT-1100EI, YT-1100EJ, YT-1100EK, YT-1100EL, YT-1100EM, YT-1100EN, YT-1100EO, YT-1100EP, YT-1100EQ, YT-1100ER, YT-1100ES, YT-1100ET, YT-1100EU, YT-1100EV, YT-1100EW, YT-1100EX, YT-1100EY, YT-1100EZ, YT-1100FA, YT-1100FB, YT-1100FC, YT-1100FD, YT-1100FE, YT-1100FF, YT-1100FG, YT-1100FH, YT-1100FI, YT-1100FJ, YT-1100FK, YT-1100FL, YT-1100FM, YT-1100FN, YT-1100FO, YT-1100FP, YT-1100FQ, YT-1100FR, YT-1100FS, YT-1100FT, YT-1100FU, YT-1100FV, YT-1100FW, YT-1100FX, YT-1100FY, YT-1100FZ, YT-1100GA, YT-1100GB, YT-1100GC, YT-1100GD, YT-1100GE, YT-1100GF, YT-1100GG, YT-1100GH, YT-1100GI, YT-1100GJ, YT-1100GK, YT-1100GL, YT-1100GM, YT-1100GN, YT-1100GO, YT-1100GP, YT-1100GQ, YT-1100GR, YT-1100GS, YT-1100GT, YT-1100GU, YT-1100GV, YT-1100GW, YT-1100GX, YT-1100GY, YT-1100GZ, YT-1100HA, YT-1100HB, YT-1100HC, YT-1100HD, YT-1100HE, YT-1100HF, YT-1100HG, YT-1100HH, YT-1100HI, YT-1100HJ, YT-1100HK, YT-1100HL, YT-1100HM, YT-1100HN, YT-1100HO, YT-1100HP, YT-1100HQ, YT-1100HR, YT-1100HS, YT-1100HT, YT-1100HU, YT-1100HV, YT-1100HW, YT-1100HX, YT-1100HY, YT-1100HZ, YT-1100IA, YT-1100IB, YT-1100IC, YT-1100ID, YT-1100IE, YT-1100IF, YT-1100IG, YT-1100IH, YT-1100II, YT-1100IJ, YT-1100IK, YT-1100IL, YT-1100IM, YT-1100IN, YT-1100IO, YT-1100IP, YT-1100IQ, YT-1100IR, YT-1100IS, YT-1100IT, YT-1100IU, YT-1100IV, YT-1100IW, YT-1100IX, YT-1100IY, YT-1100IZ, YT-1100JA, YT-1100JB, YT-1100JC, YT-1100JD, YT-1100JE, YT-1100JF, YT-1100JG, YT-1100JH, YT-1100JI, YT-1100JJ, YT-1100JK, YT-1100JL, YT-1100JM, YT-1100JN, YT-1100JO, YT-1100JP, YT-1100JQ, YT-1100JR, YT-1100JS, YT-1100JT, YT-1100JU, YT-1100JV, YT-1100JW, YT-1100JX, YT-1100JY, YT-1100JZ, YT-1100KA, YT-1100KB, YT-1100KC, YT-1100KD, YT-1100KE, YT-1100KF, YT-1100KG, YT-1100KH, YT-1100KI, YT-1100KJ, YT-1100KK, YT-1100KL, YT-1100KM, YT-1100KN, YT-1100KO, YT-1100KP, YT-1100KQ, YT-1100KR, YT-1100KS, YT-1100KT, YT-1100KU, YT-1100KV, YT-1100KW, YT-1100KX, YT-1100KY, YT-1100KZ, YT-1100LA, YT-1100LB, YT-1100LC, YT-1100LD, YT-1100LE, YT-1100LF, YT-1100LG, YT-1100LH, YT-1100LI, YT-1100LJ, YT-1100LK, YT-1100LL, YT-1100LM, YT-1100LN, YT-1100LO, YT-1100LP, YT-1100LQ, YT-1100LR, YT-1100LS, YT-1100LT, YT-1100LU, YT-1100LV, YT-1100LW, YT-1100LX, YT-1100LY, YT-1100LZ, YT-1100MA, YT-1100MB, YT-1100MC, YT-1100MD, YT-1100ME, YT-1100MF, YT-1100MG, YT-1100MH, YT-1100MI, YT-1100MJ, YT-1100MK, YT-1100ML, YT-1100MM, YT-1100MN, YT-1100MO, YT-1100MP, YT-1100MQ, YT-1100MR, YT-1100MS, YT-1100MT, YT-1100MU, YT-1100MV, YT-1100MW, YT-1100MX, YT-1100MY, YT-1100MZ, YT-1100NA, YT-1100NB, YT-1100NC, YT-1100ND, YT-1100NE, YT-1100NF, YT-1100NG, YT-1100NH, YT-1100NI, YT-1100NJ, YT-1100NK, YT-1100NL, YT-1100NM, YT-1100NO, YT-1100NP, YT-1100NQ, YT-1100NR, YT-1100NS, YT-1100NT, YT-1100NU, YT-1100NV, YT-1100NW, YT-1100NX, YT-1100NY, YT-1100NZ, YT-1100OA, YT-1100OB, YT-1100OC, YT-1100OD, YT-1100OE, YT-1100OF, YT-1100OG, YT-1100OH, YT-1100OI, YT-1100OJ, YT-1100OK, YT-1100OL, YT-1100OM, YT-1100ON, YT-1100OO, YT-1100OP, YT-1100OQ, YT-1100OR, YT-1100OS, YT-1100OT, YT-1100OU, YT-1100OV, YT-1100OW, YT-1100OX, YT-1100OY, YT-1100OZ, YT-1100PA, YT-1100PB, YT-1100PC, YT-1100PD, YT-1100PE, YT-1100PF, YT-1100PG, YT-1100PH, YT-1100PI, YT-1100PJ, YT-1100PK, YT-1100PL, YT-1100PM, YT-1100PN, YT-1100PO, YT-1100PP, YT-1100PQ, YT-1100PR, YT-1100PS, YT-1100PT, YT-1100PU, YT-1100PV, YT-1100PW, YT-1100PX, YT-1100PY, YT-1100PZ, YT-1100QA, YT-1100QB, YT-1100QC, YT-1100QD, YT-1100QE, YT-1100QF, YT-1100QG, YT-1100QH, YT-1100QI, YT-1100QJ, YT-1100QK, YT-1100QL, YT-1100QM, YT-1100QN, YT-1100QO, YT-1100QP, YT-1100QQ, YT-1100QR, YT-1100QS, YT-1100QT, YT-1100QU, YT-1100QV, YT-1100QW, YT-1100QX, YT-1100QY, YT-1100QZ, YT-1100RA, YT-1100RB, YT-1100RC, YT-1100RD, YT-1100RE, YT-1100RF, YT-1100RG, YT-1100RH, YT-1100RI, YT-1100RJ, YT-1100RK, YT-1100RL, YT-1100RM, YT-1100RN, YT-1100RO, YT-1100RP, YT-1100RQ, YT-1100RR, YT-1100RS, YT-1100RT, YT-1100RU, YT-1100RV, YT-1100RW, YT-1100RX, YT-1100RY, YT-1100RZ, YT-1100SA, YT-1100SB, YT-1100SC, YT-1100SD, YT-1100SE, YT-1100SF, YT-1100SG, YT-1100SH, YT-1100SI, YT-1100SJ, YT-1100SK, YT-1100SL, YT-1100SM, YT-1100SN, YT-1100SO, YT-1100SP, YT-1100SQ, YT-1100SR, YT-1100SS, YT-1100ST, YT-1100SU, YT-1100SV, YT-1100SW, YT-1100SX, YT-1100SY, YT-1100SZ, YT-1100TA, YT-1100TB, YT-1100TC, YT-1100TD, YT-1100TE, YT-1100TF, YT-1100TG, YT-1100TH, YT-1100TI, YT-1100TJ, YT-1100TK, YT-1100TL, YT-1100TM, YT-1100TN, YT-1100TO, YT-1100TP, YT-1100TQ, YT-1100TR, YT-1100TS, YT-1100TT, YT-1100TU, YT-1100TV, YT-1100TW, YT-1100TX, YT-1100TY, YT-1100TZ, YT-1100UA, YT-1100UB, YT-1100UC, YT-1100UD, YT-1100UE, YT-1100UF, YT-1100UG, YT-1100UH, YT-1100UI, YT-1100UJ, YT-1100UK, YT-1100UL, YT-1100UM, YT-1100UN, YT-1100UO, YT-1100UP, YT-1100UQ, YT-1100UR, YT-1100US, YT-1100UT, YT-1100UU, YT-1100UV, YT-1100UW, YT-1100UX, YT-1100UY, YT-1100UZ, YT-1100VA, YT-1100VB, YT-1100VC, YT-1100VD, YT-1100VE, YT-1100VF, YT-1100VG, YT-1100VH, YT-1100VI, YT-1100VJ, YT-1100VK, YT-1100VL, YT-1100VM, YT-1100VN, YT-1100VO, YT-1100VP, YT-1100VQ, YT-1100VR, YT-1100VS, YT-1100VT, YT-1100VU, YT-1100VV, YT-1100VW, YT-1100VX, YT-1100VY, YT-1100VZ, YT-1100WA, YT-1100WB, YT-1100WC, YT-1100WD, YT-1100WE, YT-1100WF, YT-1100WG, YT-1100WH, YT-1100WI, YT-1100WJ, YT-1100WK, YT-1100WL, YT-1100WM, YT-1100WN, YT-1100WO, YT-1100WP, YT-1100WQ, YT-1100WR, YT-1100WS, YT-1100WT, YT-1100WU, YT-1100WV, YT-1100WW, YT-1100WX, YT-1100WY, YT-1100WZ, YT-1100XA, YT-1100XB, YT-1100XC, YT-1100XD, YT-1100XE, YT-1100XF, YT-1100XG, YT-1100XH, YT-1100XI, YT-1100XJ, YT-1100XK, YT-1100XL, YT-1100XM, YT-1100XN, YT-1100XO, YT-1100XP, YT-1100XQ, YT-1100XR, YT-1100XS, YT-1100XT, YT-1100XU, YT-1100XV, YT-1100XW, YT-1100XX, YT-1100XY, YT-1100XZ, YT-1100YA, YT-1100YB, YT-1100YC, YT-1100YD, YT-1100YE, YT-1100YF, YT-1100YG, YT-1100YH, YT-1100YI, YT-1100YJ, YT-1100YK, YT-1100YL, YT-1100YM, YT-1100YN, YT-1100YO, YT-1100YP, YT-1100YQ, YT-1100YR, YT-1100YS, YT-1100YT, YT-1100YU, YT-1100YV, YT-1100YW, YT-1100YX, YT-1100YY, YT-1100YZ, YT-1100ZA, YT-1100ZB, YT-1100ZC, YT-1100ZD, YT-1100ZE, YT-1100ZF, YT-1100ZG, YT-1100ZH, YT-1100ZI, YT-1100ZJ, YT-1100ZK, YT-1100ZL, YT-1100ZM, YT-1100ZN, YT-1100ZO, YT-1100ZP, YT-1100ZQ, YT-1100ZR, YT-1100ZS, YT-1100ZT, YT-1100ZU, YT-1100ZV, YT-1100ZW, YT-1100ZX, YT-1100ZY, YT-1100ZZ

Test Standard: IEC62321-2013

The EUT described above has been consolidated by us and found in compliance with the council RoHS Directive 2011/65/EU. It is only valid in connection with the test report number: UN2014122403RR-3.

2014-12-24
Date of issue



RoHS



Shenzhen United Testing Technology Co., Ltd.
Room 317-319, Block 1, University Town Technology Park,
3rd Zone, South Section, Hongshuang Industrial Park,
Nanshan District, Shenzhen, PRC. 518055
Tel: +86-755-86180096 Fax: +86-755-86180156
http://www.unt.com.cn E-mail: info@unt.com.cn



EC-R&TTE Certificate

Certificate Number: UN2014122403EC-1

Applicant : Shenzhen World Reputation Electronics Technology Co., Ltd.
6F, B Building, B Area, Xingqiang Business Building, No.1, Dezheng Road, Shilong Community, Shiyan, Bao'an District, Shenzhen

Manufacturer : Shenzhen World Reputation Electronics Technology Co., Ltd.
6F, B Building, B Area, Xingqiang Business Building, No.1, Dezheng Road, Shilong Community, Shiyan, Bao'an District, Shenzhen

Product : Bar-code Scanner

Trade Name : Yumite

Model : YT-1200, YT-860, YT-1200, YT-1400, YT-1500, YT-2200, YT-2300, YT-2400, YT-2500, YT-XXXX

Essential requirement	Applied Specifications/Standards	Documentary Evidence	Result
Art.3.1(a) Health	Not assessed		
Art.3.1(a) Safety	EN60950-1	UN2014122403SR-1	Pass
Art.3.1(b) EMC	ETSI EN301 488-1/3	UN2014122403ER-1	Pass
Art.3.2 Radio	ETSI EN300 440	UN2014122403ER-2	Pass

The EUT described above has been tested by us with the listed standards and found in compliance with the council R&TTE directive 99/5/EC. It is possible to use CE marking to demonstrate the compliance with this Directive.

The scope of evaluation relates to the submitted documents only.

2014-12-24
Date of issue



CE



Shenzhen United Testing Technology Co., Ltd.
Room 317-319, Block 1, University Town Technology Park,
3rd Zone, South Section, Hongshuang Industrial Park,
Nanshan District, Shenzhen, PRC. 518055
Tel: +86-755-86180096 Fax: +86-755-86180156
http://www.unt.com.cn E-mail: info@unt.com.cn



CERTIFICATE OF REGISTRATION

Certificate No.: 117 14 QU 0252-12 R05
This is to certify the quality management systems of

**Shenzhen World Reputation Electronics
Technology Co., LTD**

Organization code 30608924-7

Location 6F, Xingqiang Commercial
Mansion, No. 1 Dezheng Road,
Shilong Community, Shiyan
Street, Baoan District, Shenzhen

has been assessed and registered as meeting the requirements of
ISO9001:2008

Scope of approval

**R&D, Production of Barcode Scanning Identification
Equipment**

Signed by:

Approval Date: 26 Dec. 2014
Expiry Date: 25 Dec. 2017

Shenzhen Inceer Certification Assessment Services Co., Ltd.
Certification and Accreditation Administration of China
China National Accreditation Service for Conformity Assessment
Tel: +86 (0)755 2102 7000
Fax: +86 (0)755 2102 7001
Web: www.inceer.com.cn
Add: Room 601, Xingqiang Mansion, 10001 West Zhongshan Rd.,
Shilong Street, Baoan District, Shenzhen, 518102



The certificate information can be checked on the CNCA website: WWW.CNCA.GOV.CN. The validation of the certificate also
can be obtained through www.inceer.com.cn or by calling CAS (China) Service Dept. This certificate is only valid when used
together with related permits unless otherwise specified. This certificate holder must successfully pass yearly performance audits to
maintain the validity of the certificate after the certificate approval date. The Certificate remains the property of CAS, so
unless it must be returned if the management systems of the certificate holder is approved to fail to be in conformity with the
certification standard.



CERTIFICATE OF REGISTRATION

Certificate No.: 117 14 EI 0796 R05
This is to certify the environmental management systems of

**Shenzhen World Reputation Electronics
Technology Co., LTD**

Organization code 30608924-7

Location 6F, Xingqiang Commercial Mansion, No. 1
Dezheng Road, Shilong Community,
Shiyan Street, Baoan District, Shenzhen

has been assessed and registered as meeting the requirements of
GB/T24001-2004/ISO14001:2004

Scope of approval

**The Related Environmental Management Activities of R&D,
Production of Barcode Scanning Identification Equipment for
Shenzhen World Reputation Electronics Technology Co., LTD Located
in 6F, Xingqiang Commercial Mansion, No. 1 Dezheng Road, Shilong
Community, Shiyan Street, Baoan District, Shenzhen**

Signed by:

Approval Date: 26 Dec. 2014
Expiry Date: 25 Dec. 2017

Shenzhen Inceer Certification Assessment Services Co., Ltd.
Certification and Accreditation Administration of China
China National Accreditation Service for Conformity Assessment
Tel: +86 (0)755 2102 7000
Fax: +86 (0)755 2102 7001
Web: www.inceer.com.cn
Add: Room 601, Xingqiang Mansion, 10001 West Zhongshan Rd.,
Shilong Street, Baoan District, Shenzhen, 518102



The certificate information can be checked on the CNCA website: WWW.CNCA.GOV.CN. The validation of the certificate also
can be obtained through www.inceer.com.cn or by calling CAS (China) Service Dept. This certificate is only valid when used
together with related permits unless otherwise specified. This certificate holder must successfully pass yearly performance audits to
maintain the validity of the certificate after the certificate approval date. The Certificate remains the property of CAS, so
unless it must be returned if the management systems of the certificate holder is approved to fail to be in conformity with the
certification standard.



Factory



Application

Yumite

