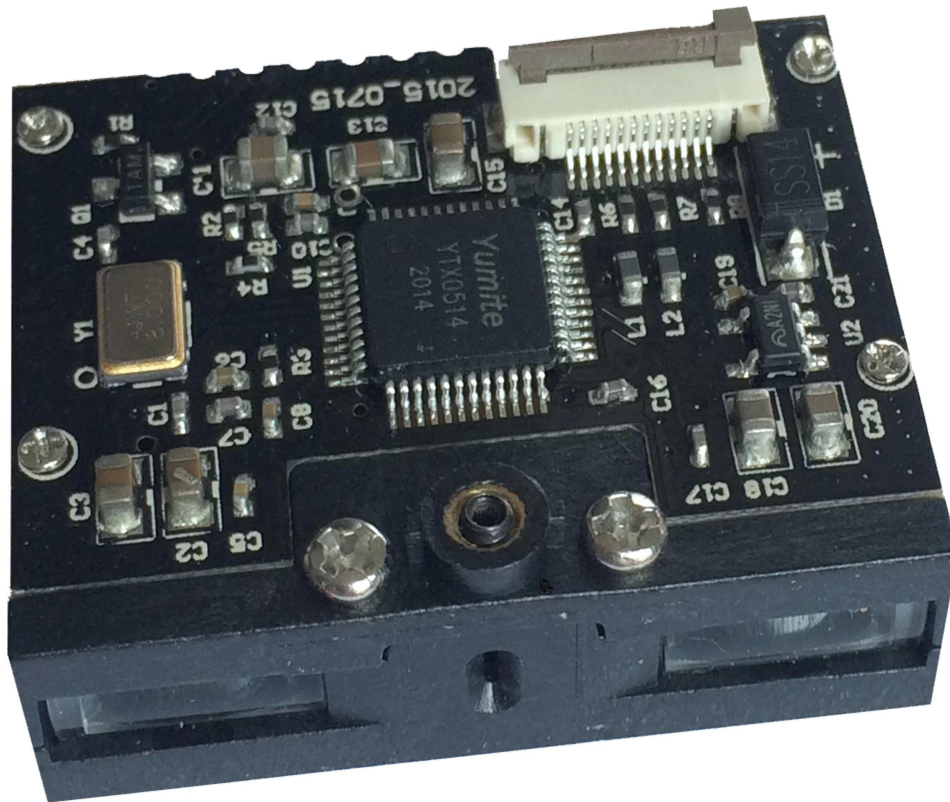


# código de barras CCD Yumite Scan Engine ER20



## Description

**Yumite**

YT-ER20 é o mecanismo de verificação CCD miniatura primeira geração feita por Yumite com o mesmo compacto de fator e atualizado bit microprocessador 32. o novo modelo tem um desempenho de leitura mais nítida e suporta serial padrão, interface USB e porta COM virtual USB.

## Function

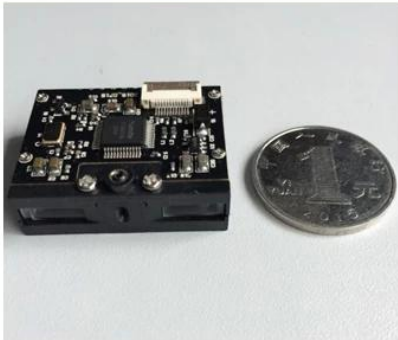
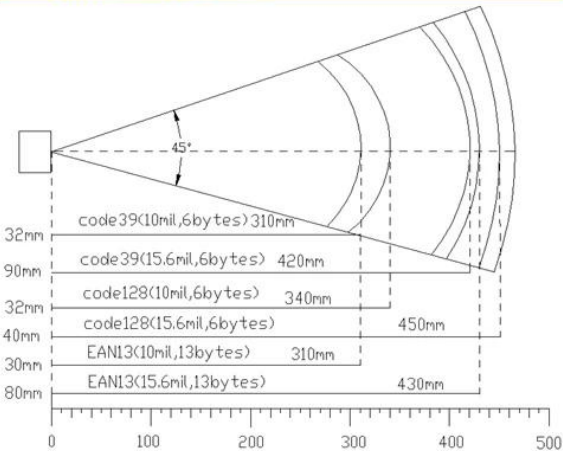
**Yumite**

ele pode ser facilmente integrado sem modificar plataforma de hardware existente na maioria dos casos. Apresentando uma das menores pegadas disponíveis e dois furos de montagem reservados, ER20 é projetado para uma fácil integração na maioria dos aplicativos de captura de dados.

## Specification

**Yumite**

# ER20 CCD Scan Engine Parameter

Parameter	Name	ER20 CCD module barcode reader
<b>Picture</b>		
Image		
<b>Performance Parameter</b>		
Depth Filed		
Optical Source	620nm Visible red light diode	
Imaging Sensor	CCD	
Resolution Ratio	2500 pixel	
Image Resolution	≥ 5mil	
Minimum Contrast	≥ 30%	
Barcode Types	Code128, EAN-13, EAN-8, Code39,UPC-A, UPC-E, Codabar, Interleaved 2 of 5,ISBN, Code 93, UCC/EAN-128, GS1 Databar etc.	
Decoding Speed	280times/s	
Barcode Sensitivity	Tilt	±55°
	Rotate	±25°
	Deflection	±75°
Data Interface Port	FPC flat cable、 separation distance: 12*0.5mm	
<b>Mechanical and Electric Performance</b>		
Size(Length x Width x Height)	33.7×25.8×9.9mm	
Weight (except cable)	9g	
Indicator	buzzer and LED light	
Max.Power	400mw	
Working Voltage	DC5V	
Current	Max.Current	80ma
	Working Current	74ma
	Stand-by Current	24ma
	Sleeping Current	—
<b>Accessory List</b>		
Data line	USB data line	
	RS232 data line	
<b>Environmental Parameter</b>		
Storage Temperature	-40°C ~ 60°C	
Working Temperature	0°C ~ 50°C	
Relative Humidity	0 ~ 95%	
<b>Certificates</b>		
CE,RoHS,EMC,LVD, ISO9001:2008, ISO14001:2004		

INGER CERTIFICATION ASSESSMENT SERVICES



### CERTIFICATE OF REGISTRATION

Certificate No.: 117 14 QU 0252-12 R05  
This is to certify the quality management systems of

**Shenzhen World Reputation Electronics Technology Co., LTD**

Organization code 30608924-7

Location 6E, Xingqiang Commercial Mansion, No. 1 Dezheng Road, Shilong Community, Shiyan Street, Baoan District, Shenzhen

has been assessed and registered as meeting the requirements of ISO9001:2008  
Scope of approval  
R&D, Production of Barcode Scanning Identification Equipment

Signed by:  Approval Date: 26 Dec. 2014  
Expiry Date: 25 Dec. 2017





Manager Report Certification Assessment  
Certification and Assessment Administration  
China England Accreditation Service UK No. 1204  
Tel: +86 10 63703790  
Fax: +86 10 63703742  
Web: www.cas.com.cn  
Add: Room 601, Jiaoling Hutong, 12000 West Changshou Rd.,  
Fubei Street, Beijing, China 100120

The certificate information can be checked on the CAS website: WWW.CAS.CN/CN. The validation of the certificate also can be obtained through www.yumite.com or by calling CAS Client Services Dept. This certificate is only valid when used together with related permits unless appropriate. This certificate holder must successfully pass yearly periodical audits to maintain the validity of the certificate after the certificate approval date. The certificate retains the property of CAS, so when it must be returned if the management systems of the certificate holder is approved not to be in conformity with the certificate standard.

INGER CERTIFICATION ASSESSMENT SERVICES



### CERTIFICATE OF REGISTRATION

Certificate No.: 117 14 E1 0796 R05  
This is to certify the environmental management systems of

**Shenzhen World Reputation Electronics Technology Co., LTD**

Organization code 30608924-7

Location 6E, Xingqiang Commercial Mansion, No. 1 Dezheng Road, Shilong Community, Shiyan Street, Baoan District, Shenzhen

has been assessed and registered as meeting the requirements of GB/T24001-2004/ISO14001:2004  
Scope of approval  
The Related Environmental Management Activities of R&D, Production of Barcode Scanning Identification Equipment for Shenzhen World Reputation Electronics Technology Co., LTD Located in 6E, Xingqiang Commercial Mansion, No. 1 Dezheng Road, Shilong Community, Shiyan Street, Baoan District, Shenzhen

Signed by:  Approval Date: 26 Dec. 2014  
Expiry Date: 25 Dec. 2017





Manager Report Certification Assessment  
Certification and Assessment Administration  
China England Accreditation Service UK No. 1204  
Tel: +86 10 63703790  
Fax: +86 10 63703742  
Web: www.cas.com.cn  
Add: Room 601, Jiaoling Hutong, 12000 West Changshou Rd.,  
Fubei Street, Beijing, China 100120

The certificate information can be checked on the CAS website: WWW.CAS.CN/CN. The validation of the certificate also can be obtained through www.yumite.com or by calling CAS Client Services Dept. This certificate is only valid when used together with related permits unless appropriate. This certificate holder must successfully pass yearly periodical audits to maintain the validity of the certificate after the certificate approval date. The certificate retains the property of CAS, so when it must be returned if the management systems of the certificate holder is approved not to be in conformity with the certificate standard.





# Certificate of Compliance

Certificate Number: UN2014122403RC-3

**Applicant** : Shenzhen World Reputation Electronics Technology Co., Ltd.  
6F, B Building, B Area, Xingqiang Business Building, No.1, Dezheng Road,  
Shilong Community, Shiyan, Bao'an District, Shenzhen

**Manufacturer** : Shenzhen World Reputation Electronics Technology Co., Ltd.  
6F, B Building, B Area, Xingqiang Business Building, No.1, Dezheng Road,  
Shilong Community, Shiyan, Bao'an District, Shenzhen

**Product** : Bar-code Scanner

**Trade Name** : Yumite

**M/N** : YT-1000, YT-760, YT-760A, YT-760B, YT-M200, YT-1100A, YT-1100B, YT-  
M300, YT-2000, YT-2100A, YT-2100B, YT-M400, YT-XXXX

Test Standard: IEC62321:2013

The EUT described above has been consolidated by us and found in compliance with the council RoHS Directive 2011/95/EU. It is only valid in connection with the test report number: UN2014122403RR-3.

2014-12-24

Date of issue

**Shenzhen United Testing Technology Co., Ltd.**  
Room 317-319, Block 1, University Town Technology Park,  
5<sup>th</sup> Zone, South Section, Hongguang Industrial Park,  
Nanshan District, Shenzhen, P.R.C. 518055  
Tel: +86-755-88130096 Fax: +86-755-88180138  
<http://www.unt.com.cn> E-mail: [info@unt.com.cn](mailto:info@unt.com.cn)



# RoHS



# EC-R&TTE Certificate

Certificate Number: UN2014122403REC-1

**Applicant** : Shenzhen World Reputation Electronics Technology Co., Ltd.  
6F, B Building, B Area, Xingqiang Business Building, No.1, Dezheng Road,  
Shilong Community, Shiyan, Bao'an District, Shenzhen

**Manufacturer** : Shenzhen World Reputation Electronics Technology Co., Ltd.  
6F, B Building, B Area, Xingqiang Business Building, No.1, Dezheng Road,  
Shilong Community, Shiyan, Bao'an District, Shenzhen

**Product** : Bar-code Scanner

**Trade Name** : Yumite

**M/N** : YT-1300, YT-860, YT-1200, YT-1400, YT-1600, YT-2200, YT-2300, YT-2400,  
YT-2500, YT-XXXX

Essential requirement	Applied Specifications/Standards	Documentary Evidence	Result
Art.3.1(a) Health	Not assessed		
Art.3.1(a) Safety	EN60950-1	UN2014122403ER-1	Pass
Art.3.1(b) EMC	ETSI EN301 489-1/3	UN2014122403ER-1	Pass
Art.3.2 Radio	ETSI EN300 440	UN2014122403ER-2	Pass

The EUT described above has been tested by us with the listed standards and found in compliance with the council R&TTE directive 99/5/EC. It is possible to use CE marking to demonstrate the compliance with this Directive.

The scope of evaluation relates to the submitted documents only.

2014-12-24

Date of issue

**Shenzhen United Testing Technology Co., Ltd.**  
Room 317-319, Block 1, University Town Technology Park,  
5<sup>th</sup> Zone, South Section, Hongguang Industrial Park,  
Nanshan District, Shenzhen, P.R.C. 518055  
Tel: +86-755-88130096 Fax: +86-755-88180138  
<http://www.unt.com.cn> E-mail: [info@unt.com.cn](mailto:info@unt.com.cn)



# CE



## Our factory

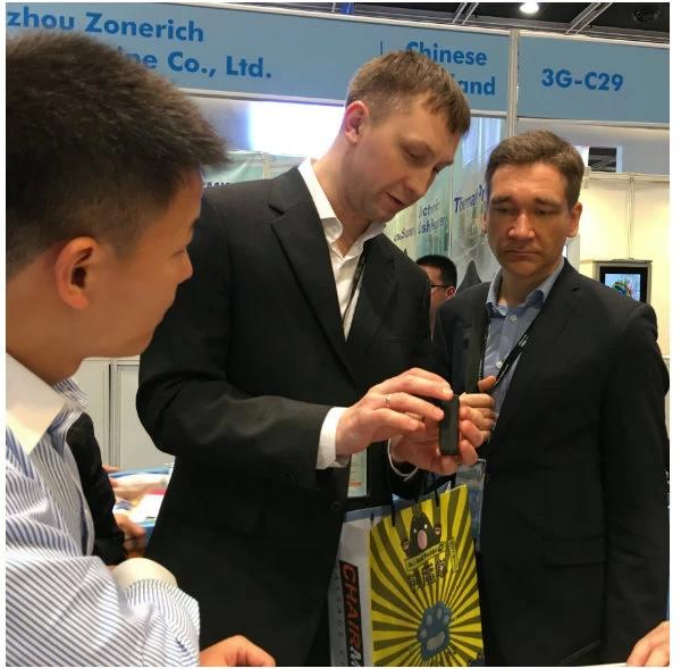
# Yumite



Customer visit

**Yumite**





Application **Yumite**



